



# Oregon

Kate Brown, Governor

## Public Utility Commission

201 High St SE Suite 100

Salem, OR 97301-3398

**Mailing Address:** PO Box 1088

Salem, OR 97308-1088

503-373-7394

January 5, 2022



BY EMAIL

Qwest Corporation, dba Centurylink QC

Robyn.M.Crichton@centurylink.com

RE: Advice No. 2021-006-PL

Staff of the Oregon Public Utility Commission reviewed the sheets in the filing docketed as PL 183. A receipted copy of the acknowledged sheet(s) in your price list filing is attached.

*/s/ Nolan Moser*

Nolan Moser

Chief Administrative Law Judge

Public Utility Commission of Oregon

503-689-3622

**Qwest Corporation d/b/a CenturyLink QC**

**PRICE LIST  
 OREGON**

**PRIVATE LINE  
 TRANSPORT SERVICES  
 FIFTH EDITION**

**SECTION 4  
 1st Revised Sheet 6  
 Cancels Original Sheet 6**

**4. ORDER MODIFICATIONS AND MISCELLANEOUS CHARGES**

**4.1 GENERAL**

**4.1.3 CANCELLATION OF APPLICATION FOR SERVICE (Cont'd)**

E. The Critical Dates monitored by the Company are as follows:

	<b>APP %</b>	<b>DLRD %</b>	<b>PTD %</b>	<b>DD %</b>	
• Low Speed Data [3]	13	44	77	[1]	(C)
• Voice Grade [3]	13	44	77	[1]	(C)
• Local Area Data Service (LADS)	13	44	77	[1]	
• Audio [3]	13	44	77	[1]	(C)
• Remote Central Office	13	44	77	[1]	
• Exchange Service Extensions [2]	13	44	77	[1]	
• Telephone Answering Service [2]	13	44	77	[1]	
• Digital Data Service [3]	13	44	77	[1]	(C)
• Simultaneous Voice Data Service [3]	13	44	77	[1]	(C)
• DS1	10	48	81	[1]	

[1] Minimum billing period charges and 100% of the nonrecurring charges apply when an order or part of an order is canceled on or after the original Service Date.

[2] Critical Dates applicable only when provisioned on an interoffice basis.

[3] **Effective November 17, 2021, Low Speed Data, Voice Grade, Audio, Digital Data, and Simultaneous Voice Data Services are grandfathered. Availability to current customers is limited to circuits in service at existing locations.** (N)  
 (N)

**Qwest Corporation d/b/a CenturyLink QC**

**PRICE LIST  
OREGON**

**PRIVATE LINE  
TRANSPORT SERVICES  
FIFTH EDITION**

**SECTION 4**  
1st Revised Sheet 36  
Cancels Original Sheet 36

**4. ORDER MODIFICATIONS AND MISCELLANEOUS CHARGES**

**4.5 POWER PROTECTION FOR HIGH VOLTAGE ENVIRONMENTS**

**Effective November 17, 2021, Protection Service for High Voltage Environments is grandfathered. Availability to current customers is limited to lines in service at existing locations.**

(N)  
|  
(N)

A. Description[1]

1. Company services provided on facilities that extend to a high voltage environment, i.e., electric power generating, switching and distributing locations, require high voltage protection whenever hazardous voltages of 1000V peak-asymmetrical or greater appear on those facilities due to Ground Potential Rise (GPR) and/or induction caused by faults in electric power system(s) located on the customer's premises. The high voltage protection is designed to isolate or neutralize the hazardous voltages. The protection objectives on Company services and facilities at these locations are as follows:
  - a. To minimize electrical hazards to personnel engaged in construction, operation, maintenance and use of telecommunications service.
  - b. To limit electrical damage to telecommunications equipment, cable and wire facilities.
  - c. To provide the required service continuity and integrity of telecommunications transmission as specified by the customer.
2. This offering requires high voltage protection at the customer's premises and at the Company CO whenever the fault-produced GPR/induction equals or exceeds 1000V peak-asymmetrical.

[1] High Voltage Protection, as specified herein, does not apply to services provided on fiber optic facilities.

**Qwest Corporation d/b/a CenturyLink QC**

**PRICE LIST  
 OREGON**

**PRIVATE LINE  
 TRANSPORT SERVICES  
 FIFTH EDITION**

**SECTION 4  
 2nd Revised Sheet 42  
 Cancels 1st Revised Sheet 42**

**4. ORDER MODIFICATIONS AND MISCELLANEOUS CHARGES**

**4.5 POWER PROTECTION FOR HIGH VOLTAGE ENVIRONMENTS (Cont'd)**

G. Rates and Charges

**Effective November 17, 2021, Protection Service for High Voltage Environments is grandfathered. Availability to current customers is limited to lines in service at existing locations.**

(N)  
 |  
 (N)

1. Protection Service Types[1]

These rates and charges apply for each service terminated and treated with high voltage protection at a service location. These rates and charges do not include equipment cabinets or mounting arrangements which may be provided by the Company at additional charges or by the customer.

	<b>NONRECURRING CHARGE</b>	<b>MONTHLY RATE</b>
• Type 1 Class B Service		
- Two-wire	\$125.00	\$ 35.30
- Four-wire-metallic[2]	156.00	50.85
- Four-wire-non-metallic	156.00	50.85
• Type 2 Class B Service		
- Two-wire	187.00	61.65
- Four-wire[2]	282.00	123.30
• Type 3 Class A Service		
- Two-wire	187.00	37.20
- Four-wire	282.00	74.40
• Type 3 Class B Service		
- Two-wire	125.00	25.40
- Four-wire	156.00	50.80
• Type 4 Class A Service		
- Two-wire	187.00	37.20
- Four-wire	282.00	74.40

[1] These charges are in addition to Basic Exchange Telephone Service and/or the rate elements associated with the customer's Private Line Transport Services.

[2] Service is limited to a maximum ground potential rise of 4.0 KV RMS-11 volt seconds.

**Qwest Corporation d/b/a CenturyLink QC**

**PRICE LIST  
OREGON**

**PRIVATE LINE  
TRANSPORT SERVICES  
FIFTH EDITION**

**SECTION 5**  
1st Revised Sheet 1  
Cancels Original Sheet 1

**5. SERVICES**

**5.1 GENERAL**

Private Line Transport provides a transmission path between customer designated premises or customer designated premises and a Serving Wire Center. Company Centrex CO-like switches are considered to be customer designated premises for purposes of administering and providing Private Line Transport.

**5.1.1 SERVICE TYPES**

There are several types of services used to provide Private Line Transport. Each type has its own characteristics. All are subdivided by one or more of the following:

- Transmission specifications
- Bandwidth
- Speed (i.e., bit rate)

Customers can order a basic channel and select from a list of available transmission performance and channel interfaces those that they desire to meet specific communications requirements.

For purposes of ordering channels, each has been identified as a type of Private Line Transport. However, such identification is not intended to limit a customer's use of the channel nor to imply that the channel is limited to a particular use.

Following is a brief description of each type of service:

Low Speed Data [1]

A channel for the transmission of low speed loop status signals of up to 150 baud and for the transmission of McCulloh type alarm signals

**[1] Effective November 17, 2021, this service is grandfathered. Availability to current customers is limited to circuits in service at existing locations.**

(N)  
(N)

Qwest Corporation d/b/a CenturyLink QC

PRICE LIST  
OREGON

PRIVATE LINE  
TRANSPORT SERVICES  
FIFTH EDITION

SECTION 5  
1st Revised Sheet 2  
Cancels Original Sheet 2

5. SERVICES

5.1 GENERAL

5.1.1 SERVICE TYPES (Cont'd)

Voice Grade [1]

(C)

A channel for the transmission of analog signals within an approximate bandwidth of 300-3000 Hz.

Local Area Data Service (LADS)

A channel suitable for baseband transmission of digital data signals between points within the same serving wire center area.

Audio [1]

(C)

A channel for the transmission of audio signals. The nominal frequency bandwidths are from 200 to 3,500 Hz, from 100 to 5,000 Hz, from 50 to 8,000 Hz or from 50 to 15,000 Hz. Audio multipoint private line channels are specially provided for the closed circuit (nonbroadcast) transmission of voice and music in one direction only.

Digital Data Service [1]

(C)

A channel for the digital transmission of synchronous serial data at rates of 2.4, 4.8, 9.6, 19.2, 56, and 64 kbps.

DS1

A channel for point to point two-way transmission at a speed of 1.544 Megabits per second (Mbps).

[1] **Effective November 17, 2021, this service is grandfathered. Availability to current customers is limited to circuits in service at existing locations.**

(N)  
(N)

**Qwest Corporation d/b/a CenturyLink QC**

**PRICE LIST  
 OREGON**

**PRIVATE LINE  
 TRANSPORT SERVICES  
 FIFTH EDITION**

**SECTION 5  
 1st Revised Sheet 9  
 Cancels Original Sheet 9**

**5. SERVICES**

**5.1 GENERAL**

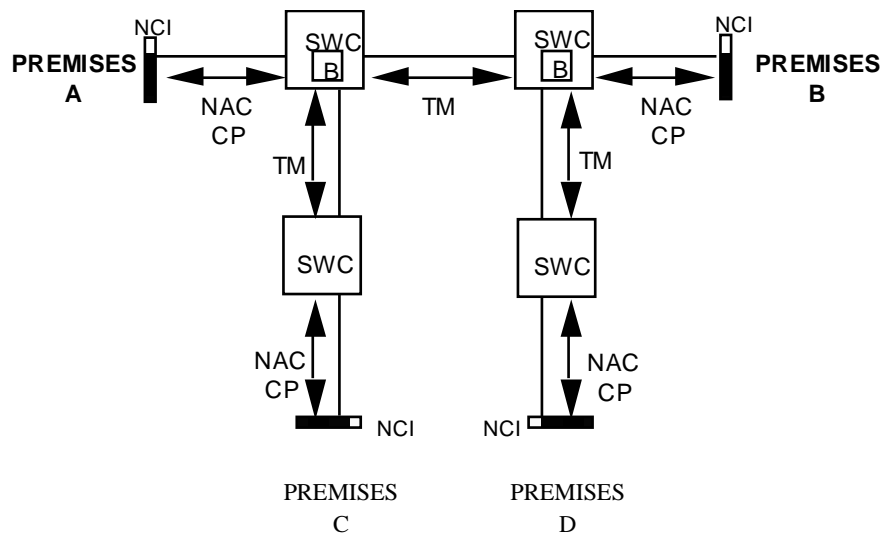
**5.1.3 SERVICE CONFIGURATIONS**

**B. Multipoint Service (Cont'd)**

**1. Multipoint Analog Service[1]**

(C)

The following diagram depicts a service connecting four customer designated premises, each served by a different Serving Wire Center (SWC). The location of the Network Channel Interface (NCI) is noted on the diagram.



- Network Access Channel (NAC) (4)
- Transport Mileage (TM) (3 sections, each from the appropriate mileage band)
- Channel Performance (CP) (4)
- Optional Features and Functions (B) (6 applicable, one per port)

**[1] Effective November 17, 2021, this service is grandfathered. Availability to current customers is limited to circuits in service at existing locations.**

(N)  
 (N)

**Qwest Corporation d/b/a CenturyLink QC**

**PRICE LIST  
 OREGON**

**PRIVATE LINE  
 TRANSPORT SERVICES  
 FIFTH EDITION**

**SECTION 5  
 1st Revised Sheet 10  
 Cancels Original Sheet 10**

**5. SERVICES**

**5.1 GENERAL**

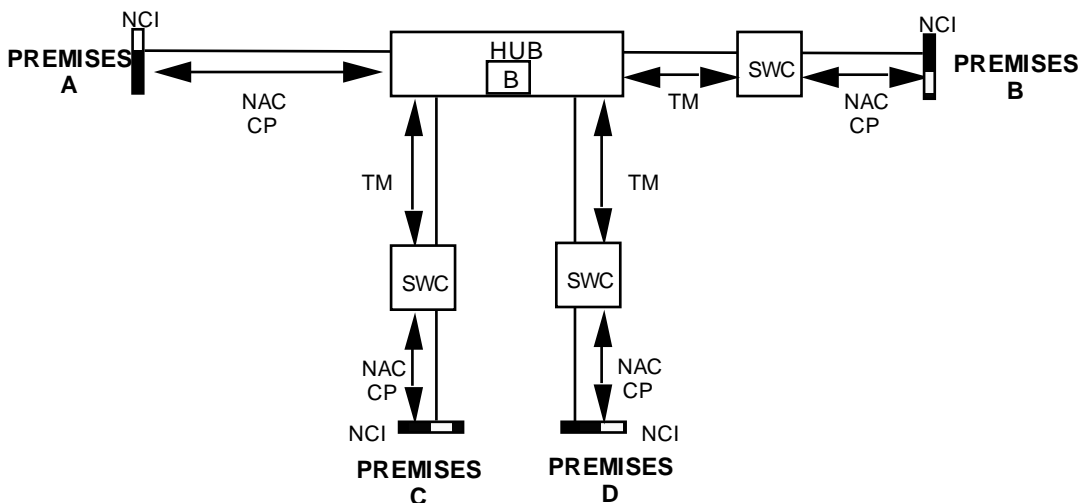
**5.1.3 SERVICE CONFIGURATIONS**

**B. Multipoint Service (Cont'd)**

**2. Multipoint Service for Digital Data Service[1]**

(C)

The following diagram depicts a service connecting four customer designated premises, each served by a different Serving Wire Center (SWC). The location of the Network Channel Interface (NCI) is noted on the diagram.



- Network Access Channel (NAC) (4)
- Transport Mileage (TM) (3 sections, each from the appropriate mileage band)
- Channel Performance (CP) (4)
- Optional Features and Functions - bridging (B) (4 applicable, one per port)

**[1] Effective November 17, 2021, this service is grandfathered. Availability to current customers is limited to circuits in service at existing locations.**

(N)  
 (N)



**Qwest Corporation d/b/a CenturyLink QC**

**PRICE LIST  
OREGON**

**PRIVATE LINE  
TRANSPORT SERVICES  
FIFTH EDITION**

**SECTION 5**  
1st Revised Sheet 19  
Cancels Original Sheet 19

**5. SERVICES**

**5.1 GENERAL**

**5.1.6 RATE STABILIZED AND DISCOUNT PRICING**

**B. Discount Pricing Terms and Conditions (Cont'd)**

10. Analog [1] Discount Schedule (C)

The following discount schedule applies to only the following rate elements; Channel Performance, Transport Channel, and Optional Features and Functions. The discounts are additive and will apply up to a maximum of 15%. Discounts may be less than those indicated to assure that rates are above cost.

**DISCOUNT**

• Length of Agreement

12 through 35 months	3%
36 through 59 months	10%
60 months	15%

(Plus)

• Quantity of Circuits

0 through 20	[2]	(T)
Over 20	5%	

11. Network Access Channel (NAC) Discount Pricing

Discount pricing for NACs is available to both Analog and DDS Private Line Transport Services, and is determined based on the length of the term of the agreement, the quantity of NACs between two points (the same customer location and serving wire center), and if the equivalent two-wire quantity of NACs is greater than 50, the airline distance from the customer to the serving wire center. One four-wire NAC is equivalent to two two-wire NACs.

Analog and Digital Services are considered separately, when determining NAC discount eligibility and rates.

[1] **Effective November 17, 2021, Analog Services are grandfathered. Availability to current customers is limited to circuits in service at existing locations.** (N)  
(N)

[2] Not Eligible. (T)

Qwest Corporation d/b/a CenturyLink QC

PRICE LIST  
OREGON

PRIVATE LINE  
TRANSPORT SERVICES  
FIFTH EDITION

SECTION 5  
1st Revised Sheet 22  
Cancels Original Sheet 22

5. SERVICES

5.2 SERVICE DESCRIPTIONS

5.2.1 LOW-SPEED DATA SERVICE

**Effective November 17, 2021, Low Speed Data Services are grandfathered. Availability to current customers is limited to circuits in service at existing locations.**

(N)  
|  
(N)

A. Basic Circuit Description

These unconditioned channels are capable of transmitting low speed varying signals at rates up to 30 baud or binary signals at rates of 0-150 baud. Low-Speed Data Channels are furnished and rated from a POT to a POT or bridging location to a POT. These channels are furnished on a two-point or multipoint basis.

Information pertaining to the technical specifications and compatible channel interfaces are set forth in the Technical Publications listed under 1.9, the Reference to Technical Publications, preceding.

B. End-Link or Mid-Link Application

This application is intended for customers requiring Private Line Transport as part of an overall circuit, extending beyond the LATA. Several Channel Performances are available to facilitate compatibility and a mechanized Design Layout Report (DLR) is available to the customer to assist in their overall design. The network channel interface between the Company facility and the remainder of the overall circuit is referred to as the Mid User-POT (Point of Termination). The network channel interface that is at the terminating end of the overall circuit is referred to as the End User-POT. Following are the service categories that normally apply to the End-link or Mid-link application.

1. Service Categories

MT3

A circuit suitable for the transmission of 60 Hz control signals and dc current. This service is provided over metallic facilities. This service is provided on a two-point or multipoint basis. The transmission interfaces are provided on a two-wire only basis. Available on an intra office basis only where facilities and operations permit.

**Qwest Corporation d/b/a CenturyLink QC**

**PRICE LIST  
OREGON**

**PRIVATE LINE  
TRANSPORT SERVICES  
FIFTH EDITION**

**SECTION 5**  
1st Revised Sheet 26  
Cancels Original Sheet 26

**5. SERVICES**

**5.2 SERVICE DESCRIPTIONS (Cont'd)**

**5.2.2 VOICE GRADE SERVICE**

**Effective November 17, 2021, Voice Grade Services are grandfathered. Availability to current customers is limited to circuits in service at existing locations.**

(N)  
|  
(N)

**A. Basic Description**

Voice Grade circuits are provided with a bandwidth of 300-3000 Hz designed to meet certain specifications based on Company standards of measurement for voice transmission, data transmission, remote metering, telephoto and miscellaneous signaling purposes. Such identification is not intended to limit a customer's use of the circuits nor to imply that the circuit is limited to a particular use. These circuits are not suitable for the transmission of direct current pulses. The number of stations that may be connected and the distance over which transmission is possible may be limited by operating and transmission factors. Circuits are furnished as either two-wire or four-wire on a two-point or multipoint basis.

Information pertaining to the technical specifications and compatible channel interfaces is set forth in the Technical Publications listed under the Reference to Technical Publications preceding.

**B. End-Link or Mid-Link Applications**

This application is intended for customers requiring Private Line Transport as part of an overall circuit, extending beyond the LATA. Several Channel Performances are available to facilitate compatibility and a mechanized Design Layout Report (DLR) is available to the customer to assist in their overall design. The network channel interface between the Company facility and the remainder of the overall circuit is referred to as the Mid User-POT (Point of Termination). The network channel interface that is at the terminating end of the overall circuit is referred to as the End User-POT. Following are the service categories that normally apply to the End-link or Mid-link application.

**Qwest Corporation d/b/a CenturyLink QC**

**PRICE LIST  
OREGON**

**PRIVATE LINE  
TRANSPORT SERVICES  
FIFTH EDITION**

**SECTION 5**  
2nd Revised Sheet 37  
Cancels 1st Revised Sheet 37

**5. SERVICES**

**5.2 SERVICE DESCRIPTIONS (Cont'd)**

**5.2.4 AUDIO SERVICE**

**Effective November 17, 2021, Audio Services are grandfathered. Availability to current customers is limited to circuits in service at existing locations.**

(N)  
|  
(N)

**A. Basic Description**

Audio channels are provided for the transmission of non-broadcast program signals on a two-point or multipoint basis. The channels are furnished on a monthly basis for closed circuit (non-broadcast) transmission of voice and/or music signals in one direction only.

Audio channels are provided between customer designated premises or between customer designated premises and a Company wire center. The service arrangement is limited to the Audio service category and may not be combined with other Private Line Transport classes of service. The basic rate structure consists of the Network Access Channel, Channel Performance appropriate to the transmission level required and, if applicable, Transport Mileage from the appropriate mileage band. Service for broadcast audio purposes may be found in CenturyLink Operating Companies Tariff F.C.C. No. 11.

**Qwest Corporation d/b/a CenturyLink QC**

**PRICE LIST  
OREGON**

**PRIVATE LINE  
TRANSPORT SERVICES  
FIFTH EDITION**

**SECTION 5**  
1st Revised Sheet 40  
Cancels Original Sheet 40

**5. SERVICES**

**5.2 SERVICE DESCRIPTIONS (Cont'd)**

**5.2.6 DIGITAL DATA SERVICE**

**Effective November 17, 2021, Digital Data Services are grandfathered. Availability to current customers is limited to circuits in service at existing locations.**

(N)  
|  
(N)

**A. Basic Description**

1. Digital Data Service is provided on a two-point or multipoint, four-wire basis for 2.4, 4.8, 9.6, 19.2 and 56 kbps transmission of synchronous serial data. Digital Data Service is also provided at 64 kbps, on a two-point only basis. Subrated DS0 Service is also available. The actual bit rate is a function of the channel interface selected by the customer. The circuit provides a synchronous service, with timing provided by the Company through the Company's facilities to the customer in the received bit stream. Digital Data circuits are provided between customer designated premises, between a customer designated premises and a Digital Data Hub or designated digital wire center, or between Digital Data Hubs or designated digital wire centers.[1]

A Subrated DS0 Service (HCO) transports multiple subrate digital data channels, i.e., twenty 2.4, ten 4.8, or five 9.6 kbps, between Digital Data Hubs.

When 64 kbps is multiplexed onto a DS1 Service, the DS1 Service must be optioned for Clear Channel Capability. The customer must specify the appropriate Network Channel Interface (NCI) and Network Channel (NC) codes.

- [1] When Digital Data Service is provided jointly, by the Company and another Local Exchange Telephone Company, the service is provisioned through a Digital Data Hub.

**Qwest Corporation d/b/a CenturyLink QC**

**PRICE LIST  
OREGON**

**PRIVATE LINE  
TRANSPORT SERVICES  
FIFTH EDITION**

**SECTION 5**  
1st Revised Sheet 71  
Cancels Original Sheet 71

**5. SERVICES**

**5.2 SERVICE DESCRIPTIONS (Cont'd)**

**5.2.10 SIMULTANEOUS VOICE DATA SERVICE**

**Effective November 17, 2021, Simultaneous Voice Data Service (SVDS) is grandfathered. Availability to current customers is limited to circuits in service at existing locations.**

(N)  
|  
(N)

**A. Basic Description**

Simultaneous Voice Data Service (SVDS) provides two-point or multipoint transport of full-duplex, asynchronous or synchronous digital data, at speeds of 2.4, 4.8, 9.6, or 19.2 kbit/s, while simultaneously carrying analog voice traffic over a shared, qualified, two-wire exchange access line or network access channel facility. Subrate DS0 is also available. The actual bit rate is a function of the channel interface selected by the customer. The Network Access Channel for SVDS is a derived channel of a customer's exchange access line.

SVDS is provided only when the customer's designated premises serving wire center is equipped with SVDS compatible equipment and where provisioning parameters are met. SVDS is provided between customer designated premises or between a customer designated premises and an SVDS equipped serving wire center.[1]

A Subrated DS0 Service (HCO) transports multiple subrate digital data channels, i.e., twenty 2.4, ten 4.8, or five 9.6 kbit/s, between SVDS equipped serving wire centers.

[1] When SVDS is provided jointly, by the Company and another Local Exchange Telephone Company, the service is provisioned through a Digital Data Hub.

Qwest Corporation d/b/a CenturyLink QC

PRICE LIST  
OREGON

PRIVATE LINE  
TRANSPORT SERVICES  
FIFTH EDITION

SECTION 5  
2nd Revised Sheet 83  
Cancels 1st Revised Sheet 83

5. SERVICES

5.3 RATES AND CHARGES

Effective November 17, 2021, Analog, Digital Data Services and Simultaneous Voice Data Service are grandfathered. Availability to current customers is limited to circuits in service at existing locations.

(N)  
|  
(N)

The rates and charges for Analog Private Line Transport Services, Digital Data Service (DDS) and Simultaneous Voice Data Service (SVDS) are specified in 5.3.1 through 5.3.5, following.

Analog services are: Low Speed Data, Voice Grade, Local Area Data Service (LADS), Audio, Remote Central Office (RCO), Exchange Service Extensions (ESE) and Telephone Answering Service (TAS).

5.3.1 SERVICE PROVISIONING CHARGE

	NONRECURRING CHARGE
A. Applicable to Low Speed Data, Voice Grade, Audio, Remote Central Office, Exchange Service Extensions and Telephone Answering Service	
• Initial[1]	\$241.00
• Subsequent[1]	184.00
• Same Wire Center, Initial and Subsequent: Applies only to Low Speed Data MT3 and LS31 DC Channel, Local Area Data Service and Exchange Service Extensions	95.00
B. Applicable to Digital Data Service	
• Initial	265.00
• Subsequent	184.00
C. Applicable to Simultaneous Voice Data Service	
• Initial	240.00
• Subsequent	121.00

[1] Not applicable to Local Area Data Service (LADS).

**Qwest Corporation d/b/a CenturyLink QC**

**PRICE LIST  
 OREGON**

**PRIVATE LINE  
 TRANSPORT SERVICES  
 FIFTH EDITION**

**SECTION 5  
 2nd Revised Sheet 85  
 Cancels 1st Revised Sheet 85**

**5. SERVICES**

**5.3 RATES AND CHARGES(Cont'd)**

**5.3.3 CHANNEL PERFORMANCE (CP)**

	<b>NONRECURRING CHARGE</b>	<b>MONTHLY RATE</b>	
A. Low Speed Data Service			
<b>Effective November 17, 2021, Low Speed Data Services are grandfathered. Availability to current customers is limited to circuits in service at existing locations.</b>			
			(N)   (N)
• End-Link or Mid-Link, per termination			
- MT3	\$ 37.00	\$ 6.80	
- Custom[1]	ICB	ICB	
• End-to-End, per termination			
- LS31 Control Status Channel	138.00	7.95	
- LS31 McCulloh Alarm-Type	21.00	4.00	
- LS31 DC Channel	-	1.26	
- LS31 Telegraph			
- 0 to 75 baud	131.00	12.50	
- 0 to 150 baud	127.00	13.50	
- Custom[1]	ICB	ICB	

[1] Custom Channel Performance is as described in 3.2.3, preceding.



**Qwest Corporation d/b/a CenturyLink QC**

**PRICE LIST  
 OREGON**

**PRIVATE LINE  
 TRANSPORT SERVICES  
 FIFTH EDITION**

**SECTION 5**  
 2nd Revised Sheet 86  
 Cancels 1st Revised Sheet 86

**5. SERVICES**

**5.3 RATES AND CHARGES**

**5.3.3 CHANNEL PERFORMANCE (CP) (Cont'd)**

	<b>NONRECURRING CHARGE</b>	<b>MONTHLY RATE</b>	
B. Voice Grade Service - <b>Grandfathered</b>			(C)
<b>Effective November 17, 2021, Voice Grade Services are grandfathered. Availability to current customers is limited to circuits in service at existing locations.</b>			(N)   (N)
1. End-Link or Mid-Link, per termination			
• Voice Grade 2			
- No Signaling	\$ 32.00	\$ 9.00	
- Loop-Start Signaling			
- Type - LA	161.00	12.00	
- Type - LB	51.00	8.50	
- Type - LC	43.00	8.75	
- Type - LO	32.00	5.75	
- Type - LS	32.00	13.75	
- SF Signaling	283.00	11.00	
- Auto ringdown	45.00	15.00	
• Voice Grade 3			
- No Signaling	79.00	5.00	
- Loop-Start Signaling	7.00	18.00	
- Ground-Start Signaling	8.00	17.00	
- E & M Signaling	226.00	20.50	
- SF Signaling	185.00	14.50	
- Reverse Battery Signaling	125.00	5.00	
• Voice Grade 5			
- No Signaling	36.00	9.25	
- Data Stream	65.00	11.25	
• Voice Grade 6			
- No Signaling	51.00	9.00	
- Data Stream	80.00	12.25	

**Qwest Corporation d/b/a CenturyLink QC**

**PRICE LIST  
 OREGON**

**PRIVATE LINE  
 TRANSPORT SERVICES  
 FIFTH EDITION**

**SECTION 5  
 2nd Revised Sheet 87  
 Cancels 1st Revised Sheet 87**

**5. SERVICES**

**5.3 RATES AND CHARGES**

**5.3.3 CHANNEL PERFORMANCE (CP)**

**B. Voice Grade Service- Grandfathered**

(C)

1. End-Link or Mid-Link, per termination (Cont'd)

	<b>NONRECURRING CHARGE</b>	<b>MONTHLY RATE</b>
• Voice Grade 7		
- No Signaling	\$ 49.00	\$ 9.00
- Loop-Start Signaling		
- Type – LA	175.00	15.00
- Type – LB	64.00	14.75
- Type – LC	57.00	11.00
- Type – LO	29.00	8.50
- Type – LS	29.00	7.25
- Ground-Start Signaling	30.00	7.00
- E & M Signaling	199.00	21.25
- SF Signaling	402.00	12.75
• Voice Grade 10		
- No Signaling	110.00	6.25
- Data Stream	80.00	15.25
• Voice Grade 12		
- No Signaling	118.00	5.00
- Data Stream	118.00	16.25
• Voice Grade Basic		
- No Signaling	3.00	3.25
• Custom	ICB	ICB

**Qwest Corporation d/b/a CenturyLink QC**

**PRICE LIST  
 OREGON**

**PRIVATE LINE  
 TRANSPORT SERVICES  
 FIFTH EDITION**

**SECTION 5**  
 2nd Revised Sheet 88  
 Cancels 1st Revised Sheet 88

**5. SERVICES**

**5.3 RATES AND CHARGES**

**5.3.3 CHANNEL PERFORMANCE (CP)**

**B. Voice Grade Service – Grandfathered (Cont'd)**

(C)

	<b>NONRECURRING CHARGE</b>	<b>MONTHLY RATE</b>
2. End-to-End, per termination		
• Voice Grade 32		
- No Signaling	\$128.00	\$ 7.50
- Loop-Start Signaling		
- Type – LA	101.00	9.00
- Type – LB	22.00	7.75
- Type – LC	15.00	7.00
- Type – LG	165.00	12.50
- Type – LO	15.00	5.75
- Type – LS	15.00	7.25
- Auto ringdown	22.00	4.50
• Voice Grade 33		
- No Signaling	126.00	8.00
- Ground-Start Signaling	15.00	5.75
- E & M Signaling	74.00	16.00
- Reverse Battery Signaling[1]	235.00	4.75
• Voice Grade 36		
- No Signaling	127.00	3.25
- Data Stream	127.00	12.50
• Voice Grade Basic		
- No Signaling	3.00	3.25
• Custom[2]		
	ICB	ICB

[1] Available to Radio Common Carriers within the same wire center only.

[2] Custom Channel Performance is as described in 3.2.3, preceding.

Qwest Corporation d/b/a CenturyLink QC

PRICE LIST  
OREGON

PRIVATE LINE  
TRANSPORT SERVICES  
FIFTH EDITION

SECTION 5  
2nd Revised Sheet 89  
Cancels 1st Revised Sheet 89

5. SERVICES

5.3 RATES AND CHARGES

5.3.3 CHANNEL PERFORMANCE (CP) (Cont'd)

	NONRECURRING CHARGE	MONTHLY RATE	
C. Local Area Data Service			
• Per termination	–	\$ 1.76	
D. Audio Service – <b>Grandfathered</b>			(C)
<b>Effective November 17, 2021, Audio Services are grandfathered. Availability to current customers is limited to circuits in service at existing locations.</b>			(N) (N)
End-to-End, per termination			
• AP31 (3.0 kHz) non-equalized	\$ 2.00	5.25	
• AP32 (5.0 kHz) equalized	264.00	11.25	
• AP33 (8.0 kHz) equalized	265.00	13.00	
• AP34 (15.0 kHz) equalized	265.00	18.00	
• Custom[1]	ICB	ICB	

[1] Custom Channel Performance is as described in 3.2.3, preceding.

**Qwest Corporation d/b/a CenturyLink QC**

**PRICE LIST  
OREGON**

**PRIVATE LINE  
TRANSPORT SERVICES  
FIFTH EDITION**

**SECTION 5**  
2nd Revised Sheet 91  
Cancels 1st Revised Sheet 91

**5. SERVICES**

**5.3 RATES AND CHARGES**

**5.3.3 CHANNEL PERFORMANCE (CP) (Cont'd)**

**NONRECURRING CHARGE      MONTHLY RATE**

H. Digital Data Service – **Grandfathered** (C)

**Effective November 17, 2021, Digital Data Services are grandfathered. Availability to current customers is limited to circuits in service at existing locations.** (N)  
| (N)

1. End-Link or Mid-Link,  
per termination

• 2.4 kbps	\$97.50	\$17.00
• 4.8 kbps	97.50	17.00
• 9.6 kbps	97.50	17.00
• 19.2 kbps	97.50	21.00
• 56 kbps	97.50	21.00
• 64 kbps	97.50	21.00

2. End-to-End, per termination

• 2.4 kbps	97.50	17.00
• 4.8 kbps	97.50	17.00
• 9.6 kbps	97.50	17.00
• 19.2 kbps	97.50	21.00
• 56 kbps	97.50	21.00
• 64 kbps	97.50	21.00

Qwest Corporation d/b/a CenturyLink QC

PRICE LIST  
OREGON

PRIVATE LINE  
TRANSPORT SERVICES  
FIFTH EDITION

SECTION 5  
2nd Revised Sheet 92  
Cancels 1st Revised Sheet 92

5. SERVICES

5.3 RATES AND CHARGES

5.3.3 CHANNEL PERFORMANCE (CP) (Cont'd)

	NONRECURRING CHARGE	MONTHLY RATE	
I. Simultaneous Voice Data Service – Grandfathered			(C)
<b>Effective November 17, 2021, Simultaneous Voice Data Service (SVDS) is grandfathered. Availability to current customers is limited to circuits in service at existing locations.</b>			(N)   (N)
1. End-Link or Mid-Link, per termination			
• 2.4 kbps			
- Month-to-month	\$105.00	\$17.00	
- 36-59 months	105.00	17.00	
- 60 months	105.00	17.00	
• 4.8 kbps			
- Month-to-month	105.00	14.25	
- 36-59 months	105.00	14.25	
- 60 months	105.00	14.25	
• 9.6 kbps			
- Month-to-month	105.00	14.25	
- 36-59 months	105.00	14.25	
- 60 months	105.00	14.25	
• 19.2 kbps			
- Month-to-month	105.00	14.25	
- 36-59 months	105.00	14.25	
- 60 months	105.00	14.25	

Qwest Corporation d/b/a CenturyLink QC

PRICE LIST  
OREGON

PRIVATE LINE  
TRANSPORT SERVICES  
FIFTH EDITION

SECTION 5  
2nd Revised Sheet 93  
Cancels 1st Revised Sheet 93

5. SERVICES

5.3 RATES AND CHARGES

5.3.3 CHANNEL PERFORMANCE (CP)

I. Simultaneous Voice Data Service – **Grandfathered** (Cont'd)

(C)

	NONRECURRING CHARGE	MONTHLY RATE
2. End-to-End, per termination		
• 2.4 kbps		
- Month-to-month	\$105.00	\$17.00
- 36-59 months	105.00	17.00
- 60 months	105.00	17.00
• 4.8 kbps		
- Month-to-month	105.00	14.25
- 36-59 months	105.00	14.25
- 60 months	105.00	14.25
• 9.6 kbps		
- Month-to-month	105.00	14.25
- 36-59 months	105.00	14.25
- 60 months	105.00	14.25
• 19.2 kbps		
- Month-to-month	105.00	14.25
- 36-59 months	105.00	14.25
- 60 months	105.00	14.25

Qwest Corporation d/b/a CenturyLink QC

PRICE LIST  
OREGON

PRIVATE LINE  
TRANSPORT SERVICES  
FIFTH EDITION

SECTION 5  
2nd Revised Sheet 94  
Cancels 1st Revised Sheet 94

5. SERVICES

5.3 RATES AND CHARGES (Cont'd)

5.3.4 TRANSPORT MILEAGE (TM)

	NONRECURRING CHARGE	MONTHLY RATE	
A. Applicable to Low Speed Data, Voice Grade, Audio (AP31, 32, 33 & 34), Remote Central Office, Exchange Service Extensions, Telephone Answering Service and Digital Data Service[1]			(C)
Mileage Bands [2]			(T)
• Over 0 to 8			
- Fixed	—	\$25.50	
- Per mile	—	0.12	
• Over 8 to 25			
- Fixed	—	25.50	
- Per mile	—	0.12	
• Over 25 to 50			
- Fixed	—	25.50	
- Per mile	—	0.14	
• Over 50			
- Fixed	—	25.50	
- Per mile	—	0.14	

[1] **Effective November 17, 2021, Low Speed Data, Voice Grade, Audio and Digital Data Services are grandfathered. Availability to current customers is limited to circuits in service at existing locations.** (N)  
(N)

[2] Transport Mileage is not applicable to Local Area Data Service (LADS). (T)



Qwest Corporation d/b/a CenturyLink QC

PRICE LIST  
OREGON

PRIVATE LINE  
TRANSPORT SERVICES  
FIFTH EDITION

SECTION 5  
2nd Revised Sheet 95  
Cancels 1st Revised Sheet 95

5. SERVICES

5.3 RATES AND CHARGES

5.3.4 TRANSPORT MILEAGE (TM) (Cont'd)

	NONRECURRING CHARGE	MONTHLY RATE	
B. Simultaneous Voice Data Service – <b>Grandfathered</b>			(C)
<b>Effective November 17, 2021, Simultaneous Voice Data Service (SVDS) is grandfathered. Availability to current customers is limited to circuits in service at existing locations.</b>			(N)   (N)
1. Month-to-Month			
Mileage Bands			
• Over 0 to 8			
- Fixed	–	\$25.50	
- Per mile	–	0.12	
• Over 8 to 25			
- Fixed	–	25.50	
- Per mile	–	0.12	
• Over 25 to 50			
- Fixed	–	25.50	
- Per mile	–	0.14	
• Over 50			
- Fixed	–	25.50	
- Per mile	–	0.14	

Qwest Corporation d/b/a CenturyLink QC

PRICE LIST  
OREGON

PRIVATE LINE  
TRANSPORT SERVICES  
FIFTH EDITION

SECTION 5  
2nd Revised Sheet 96  
Cancels 1st Revised Sheet 96

5. SERVICES

5.3 RATES AND CHARGES

5.3.4 TRANSPORT MILEAGE™

B. Simultaneous Voice Data Service – Grandfathered (Cont'd)

(C)

	NONRECURRING CHARGE	MONTHLY RATE
2. 36 – 59 months		
Mileage Bands		
• Over 0 to 8		
- Fixed	–	\$25.50
- Per mile	–	0.12
• Over 8 to 25		
- Fixed	–	25.50
- Per mile	–	0.12
• Over 25 to 50		
- Fixed	–	25.50
- Per mile	–	0.14
• Over 50		
- Fixed	–	25.50
- Per mile	–	0.14

**Qwest Corporation d/b/a CenturyLink QC**

**PRICE LIST  
OREGON**

**PRIVATE LINE  
TRANSPORT SERVICES  
FIFTH EDITION**

**SECTION 5**  
2nd Revised Sheet 97  
Cancels 1st Revised Sheet 97

**5. SERVICES**

**5.3 RATES AND CHARGES**

**5.3.4 TRANSPORT MILEAGE (TM)**

B. Simultaneous Voice Data Service – **Grandfathered** (Cont'd)

(C)

	<b>NONRECURRING CHARGE</b>	<b>MONTHLY RATE</b>
3. 60 months		
Mileage Bands		
• Over 0 to 8		
- Fixed	–	\$25.50
- Per mile	–	0.12
• Over 8 to 25		
- Fixed	–	25.50
- Per mile	–	0.12
• Over 25 to 50		
- Fixed	–	25.50
- Per mile	–	0.14
• Over 50		
- Fixed	–	25.50
- Per mile	–	0.14

**Qwest Corporation d/b/a CenturyLink QC**

**PRICE LIST  
 OREGON**

**PRIVATE LINE  
 TRANSPORT SERVICES  
 FIFTH EDITION**

**SECTION 5  
 2nd Revised Sheet 98  
 Cancels 1st Revised Sheet 98**

**5. SERVICES**

**5.3 RATES AND CHARGES (Cont'd)**

**5.3.5 OPTIONAL FEATURES AND FUNCTIONS**

**NONRECURRING CHARGE      MONTHLY RATE**

A. Low Speed Data Service – **Grandfathered** (C)

**Effective November 17, 2021, Low Speed Data Services are grandfathered. Availability to current customers is limited to circuits in service at existing locations.** (N)  
 |  
 (N)

1. Bridging

a. McCulloh Bridging, per port	\$ 12.00	\$ 1.00
b. Telegraph Bridging, per port		
• 0 to 75 baud	30.00	16.15
• 0 to 150 baud	127.00	55.00
c. Direct Bridging, per port	–	1.75

B. Voice Grade Service – **Grandfathered** (C)

**Effective November 17, 2021, Voice Grade Services are grandfathered. Availability to current customers is limited to circuits in service at existing locations.** (N)  
 |  
 (N)

1. Bridging

a. Resistive Bridging (Voice/ Data), per port		
• Two-wire	–	5.25
• Four-wire	20.00	5.75
b. Bridge Lifter, per port	30.00	1.00
c. Split Frequency Bridging, per port		
• Two-wire	26.00	2.50
• Four-wire	21.00	7.50
d. Passive Bridging, per port	–	6.50

Qwest Corporation d/b/a CenturyLink QC

PRICE LIST  
OREGON

PRIVATE LINE  
TRANSPORT SERVICES  
FIFTH EDITION

SECTION 5  
2nd Revised Sheet 99  
Cancels 1st Revised Sheet 99

5. SERVICES

5.3 RATES AND CHARGES

5.3.5 OPTIONAL FEATURES AND FUNCTIONS

B. Voice Grade Service – Grandfathered (Cont'd)

(C)

	NONRECURRING CHARGE	MONTHLY RATE
2. Conditioning, per NAC		
a. End-Link or Mid-Link Application		
• C Conditioning	\$65.00	\$ 2.00
• Data Capability	31.00	–
• Improved Attenuation Distortion	16.00	–
• Improved Envelope Delay Distortion	55.00	14.60
b. End-to-End Application		
• C1 Conditioning	58.00	–
• C2 Conditioning	58.00	–
• C4 Conditioning	58.00	–
• D1 Conditioning	58.00	–

Qwest Corporation d/b/a CenturyLink QC

PRICE LIST  
OREGON

PRIVATE LINE  
TRANSPORT SERVICES  
FIFTH EDITION

SECTION 5  
2nd Revised Sheet 100  
Cancels 1st Revised Sheet 100

5. SERVICES

5.3 RATES AND CHARGES

5.3.5 OPTIONAL FEATURES AND FUNCTIONS

B. Voice Grade Service – Grandfathered (Cont'd)

(C)

	NONRECURRING CHARGE	MONTHLY RATE
3. Data Enhancement (End-to-End Application), per NAC	\$ 58.00	–
4. Effective Four-Wire Transmission, per NAC (at the two-wire interface)	131.00	\$ 9.50
5. Equal Level Echo Path Loss, per NAC	23.00	4.75
6. Improved Return Loss, per NAC	28.00	4.75
7. Improved Termination, per NAC	112.00	11.90
8. Data Channel Terminating Equipment, per NAC		
• Option 1		
Central Office Powered Data Equalization with 2713 Hz tone	–	2.60
• Option 2		
Customer Powered DTMF, addressable loop back	–	3.55

Qwest Corporation d/b/a CenturyLink QC

PRICE LIST  
OREGON

PRIVATE LINE  
TRANSPORT SERVICES  
FIFTH EDITION

SECTION 5  
2nd Revised Sheet 101  
Cancels 1st Revised Sheet 101

5. SERVICES

5.3 RATES AND CHARGES

5.3.5 OPTIONAL FEATURES AND FUNCTIONS (Cont'd)

	NONRECURRING CHARGE	MONTHLY RATE	
C. Audio Service – <b>Grandfathered</b>			(C)
<b>Effective November 17, 2021, Audio Services are grandfathered. Availability to current customers is limited to circuits in service at existing locations.</b>			(N) (N)
1. Bridging, per port			
• AP31 - 3.5/3.0 kHz	\$ 2.00	\$5.50	
• AP32 - 5.0 kHz	–	4.75	
• AP33 - 8.0 kHz	–	2.75	
• AP34 - 15.0 kHz	25.00	6.65	
D. Telephone Answering Service			
1. Telephone Answering Service with Privacy (Key Arrangements)			
• CO relay, each	13.00	1.50	

**Qwest Corporation d/b/a CenturyLink QC**

**PRICE LIST  
 OREGON**

**PRIVATE LINE  
 TRANSPORT SERVICES  
 FIFTH EDITION**

**SECTION 5  
 2nd Revised Sheet 102  
 Cancels 1st Revised Sheet 102**

**5. SERVICES**

**5.3 RATES AND CHARGES**

**5.3.5 OPTIONAL FEATURES AND FUNCTIONS (Cont'd)**

	<b>NONRECURRING CHARGE</b>	<b>MONTHLY RATE</b>	
E. Digital Data Service – <b>Grandfathered</b>			(C)
<b>Effective November 17, 2021, Digital Data Services are grandfathered. Availability to current customers is limited to circuits in service at existing locations.</b>			(N)   (N)
1. Bridging, per port	–	\$ 3.00	
2. Secondary Channel, per point of termination[1]	\$125.00	15.00	
3. Central Office Multiplexing, per arrangement[2]			
• DS0 to Subrates			
- Up to twenty 2.4 kbps services	100.00	90.00	
- Up to ten 4.8 kbps services	70.00	80.00	
- Up to five 9.6 kbps services	45.00	70.00	
4. Central Office Multiplexer to Multiplexer Connecting Arrangement, per arrangement			
• Subrate to Subrate	12.00	8.00	
• Subrate to Subrate with Secondary Channel	12.00	8.00	
• DS0 to DS0	12.00	8.00	
• DS0 to DS0 with Secondary Channel	12.00	8.00	

[1] The nonrecurring charge applies when this feature is installed subsequent to the initial installation of service.

[2] The nonrecurring charge applies when the Multiplexer is not installed at the same time as a DDS Network Access Channel.



**Qwest Corporation d/b/a CenturyLink QC**

**PRICE LIST  
 OREGON**

**PRIVATE LINE  
 TRANSPORT SERVICES  
 FIFTH EDITION**

**SECTION 5  
 2nd Revised Sheet 103  
 Cancels 1st Revised Sheet 103**

**5. SERVICES**

**5.3 RATES AND CHARGES**

**5.3.5 OPTIONAL FEATURES AND FUNCTIONS (Cont'd)**

	NONRECURRING CHARGE	MONTHLY RATE	
F. Simultaneous Voice Data Service – <b>Grandfathered</b>			(C)
<b>Effective November 17, 2021, Simultaneous Voice Data Services are grandfathered. Availability to current customers is limited to circuits in service at existing locations.</b>			(N)   (N)
1. Bridging, per port			
• Month-to-month	–	\$ 3.00	
• 36-59 months	–	3.00	
• 60 months	–	3.00	
2. Central Office Multiplexing, per Arrangement			
a. DS0 to Subrates			
• Month-to-Month			
- Up to 20 2.4 kbit/s services	\$100.00	90.00	
- Up to 10 4.8 kbit/s services	70.00	80.00	
- Up to 5 9.6 kbit/s services	45.00	70.00	
• 36 to 59 Months			
- Up to 20 2.4 kbit/s services	100.00	85.00	
- Up to 10 4.8 kbit/s services	70.00	75.00	
- Up to 5 9.6 kbit/s services	45.00	65.00	
• 60 Months			
- Up to 20 2.4 kbit/s services	100.00	80.00	
- Up to 10 4.8 kbit/s services	70.00	70.00	
- Up to 5 9.6 kbit/s services	45.00	60.00	
3. Central Office Multiplexer to Multiplexer Connecting Arrangement, per Arrangement			
• Subrate to Subrate	[1]	5.00	
• DS0 to DS0	[1]	5.00	

[1] Nonrecurring charges are specified in 5.3.5.E., preceding, for Digital Data Service.