



June 29, 2015

Attention: Joan Grindeland
Oregon Public Utility Commission
3930 Fairview Industrial Dr. SE
Salem, OR 97308-1088

RE: Advice No. 15-009 for United Telephone Company of the Northwest d/b/a CenturyLink

Dear Members of the Commission:

Attached for electronic filing is a revised sheet for United Telephone Company of the Northwest, CenturyLink Price List No. 102. This filing is submitted with a June 30, 2015 issue date and a proposed effective date of July 1, 2015.

Price List

Section 16	First Revised Page 18
Section 19	First Revised Page 1
Section 19	Original Page 1.1
Section 19	First Revised Page 2
Section 19	First Revised Page 3
Section 19	First Revised Page 4
Section 19	First Revised Page 5
Section 19	First Revised Page 6
Section 19	First Revised Page 7
Section 19	First Revised Page 8
Section 19	First Revised Page 9
Section 19	First Revised Page 10
Section 19	First Revised Page 11
Section 19	First Revised Page 12
Section 19	First Revised Page 13
Section 19	First Revised Page 14
Section 19	First Revised Page 15
Section 19	First Revised Page 16
Section 19	First Revised Page 17
Section 19	First Revised Page 18
Section 19	First Revised Page 19
Section 19	First Revised Page 20
Section 19	First Revised Page 21
Section 19	First Revised Page 22
Section 19	First Revised Page 23

Page 2
Advice No. 15-009 PL

This filing proposes to discontinue providing month-to-month Frame Relay services to customers as July 1, 2015. Customers currently subscribed to Frame Relay under a term discount plan will be allowed to retain the service until expiration of their term. The petition to abandon Frame Relay service was approved by the Commission on May 19, 2015 in Order 15-158, Docket UM 1718.

Customers have been notified of the discontinuance of these services and of their need to select alternative technologies. The equipment necessary to provide Frame Relay services is no longer manufactured or supported by the vendor.

Please contact me if you have any questions regarding this filing.

Sincerely,



Dawn Salaver

Enclosures

cc: Ron Trullinger

OR 15-10

Dawn.Salaver@CenturyLink.com
1801 California Street, 10th Floor
Denver, CO 80202
Tel: 303-992-5835
Fax: 720-578-2912
<http://about.centurylink.com>

COMPETITIVE RESPONSE

BUSINESS CUSTOMER INCENTIVE PROGRAM (Cont'd)

A. GENERAL (Cont'd)

(D)

(D)

ENHANCED FRAME RELAY SERVICE

Effective July 1, 2015, this service will no longer be available to new customers for new orders nor will new orders from existing customers be accepted (except to the extent permitted by a Term Discount Plan).

All existing customers may migrate to another company-provided service at any time without incurring nonrecurring or service charges. Termination Liability Charges will not apply if customers with a Term Discount Plan migrate to another company-provided service prior to expiration of the Term Discount Plan.

Existing customers will be grandfathered as follows:

- **As of July 1, 2015, month-to-month customers will no longer be able to subscribe to this service.**
- **Customers with a Term Discount Plan that expires after July 1, 2015 may retain their Frame Relay Service covered by that Term Discount Plan until the expiration of that Term Discount Plan. Existing Term Discount Plans will not be renewed.**

1. Description

- A. Enhanced Frame Relay Service (EFRS) is a fast packet network that permits the transmission of data at speeds of 56/64 Kbps, 128 Kbps, 256 Kbps, 384 Kbps, 512 Kbps, 1.544 Mbps, or 44.210 Mbps using Permanent Virtual Circuits (PVCs). Utilizing statistical multiplexing, the EFRS network enables the customer to allocate circuit bandwidth to applications as needed, rather than assigning fixed channels to specific applications.
- B. Permanent Virtual Circuits (PVCs) are logical channels that connect ports on a frame relay switch or between frame relay switches. PVCs are end-to-end, bi-directional channels that are established and non-established via the service order process. Separate PVCs must be established to each location to which the customer desires to transmit data. PVC channels are virtual channels that are established in software tables and do not tie up facilities when not in use. With EFRS, customers may select from three different classes of PVCs to ensure greater reliability for mission-critical applications in the event of network congestion. Multiple PVCs can be defined over a single Frame Relay Access Line (FRAL), thereby providing a single access line the capability to transmit data to multiple destinations.

(M) Material previously appearing on this page now appears on Original Sheet 1.1.

(N)

(N)

(M)

ENHANCED FRAME RELAY SERVICE⁽¹⁾

1. Description (Cont'd)

- C. EFRS requires the use of customer terminal equipment that functions as a multiplexer, bridge or router. This terminal equipment must be purchased separately from the EFRS and must conform to Consultative Committee for International Telecommunication Union (ITU) and American National Standards Institute (ANSI) standards set forth in ITU: Q.933 Annex A, ANSI: T1.617 Annex D. The terminal equipment accumulates customer data and transfers it into a frame relay format suitable for transmission over the EFRS network.
- D. In the operation of EFRS, Customer Premises Equipment (CPE), such as frame relay assemblers and disassemblers, encapsulate arriving data into variable length frames. The information contained in these frames is data link connection identifier (DLCI) addresses, which identifies the PVC in the network that should be used to forward the frame to its proper destination. The CPE then sends the frame into the EFRS network over a dedicated access facility called a User Network Interface (UNI). The frame relay switch reads identifying information and routes the frame to the proper destination based on pre-established PVC.
- E. Variable frame length capability is useful in communications between asynchronous Local Area Networks (LAN) and for transport of synchronous data traffic. EFRS is capable of handling the requirements of bursty data sources because of the ability of the service to allocate additional bandwidth when not in use by other sources.
- F. EFRS is provided to the customer in the form of a FRAL, Frame Relay User Network Interface Port and the PVC.
- G. The actual throughput of aggregated PVC bandwidths in use at the same time on the same port cannot exceed the port speed.

⁽¹⁾ **Effective July 1, 2015, month-to-month service is discontinued for all existing customers and is not available to new customers. Customers with an existing Term Discount Plan may retain their service until the expiration of that Term Discount Plan. Existing Term Discount Plans are not renewable.**

(M) Material has been moved from Page 1.

(M)

(M)

(N)

(N)

ENHANCED FRAME RELAY SERVICE⁽¹⁾

1. Description (Cont'd)

- H. Since multiple PVCs may be defined on one physical port, it is possible for the cumulative Committed Information Rates (CIRs) to exceed the physical bandwidth of that port. This is referred to as oversubscription and when this occurs, there can be no guarantee that the CIR defined for that port and PVC will be available at any point in time.
- I. The CIR and the Excess Burst Size (B_e) are traffic management parameters that allow the customer to fine tune implementation of EFRS in conjunction with the classes of PVCs offered.
- J. 64 Kbps Clear Channel Capability (CCC) will be provided upon request and where deemed applicable by the Company. Special Arrangements as defined in Tariff No. 4, Section 4, may apply.

2. Definitions

- A. 64 Kbps Clear Channel Capability (CCC) - A channel connection that provides an end-to-end digital connection between the customer's premises and the customer's Serving Central Office in which all 64 Kbps of bandwidth are available for the customer's use.
- B. Committed Information Rate (CIR) - Defines the amount of data throughput on any designated PVC that the Company will support under normal operating conditions. CIR is administered per PVC. Any data burst beyond the CIR may be labeled Discard Eligible (DE) if the data transfer rate exceeds the CIR of the PVC being used. If the EFRS network develops congestion, the frames marked DE may be discarded. Upon service subscription, the customer must specify the PVC class and CIR for each PVC. The retransmission of discarded frames is administered by the customer's CPE.
- C. Customer Designated Location (CDL) - The geographic location designated by the customer where the customer's CPE is first considered to enter the Company's network.
- D. Data Link Connection Identifier (DLCI) - The address information contained in the frame relay header that conveys to the network how an individual frame should be routed. The DLCI essentially defines the customer end point to which a particular frame should be sent.
- E. Excess Burst Size (B_e) - Denotes the data above CIR at which customer data will be admitted to the EFRS network. All Excess Burst data admitted to the network that exceeds the CIR will be designated discard eligible.
- F. Frame - A sequence of contiguous bits delimited by beginning and ending flag sequences.

⁽¹⁾ **Effective July 1, 2015, month-to-month service is discontinued for all existing customers and is not available to new customers. Customers with an existing Term Discount Plan may retain their service until the expiration of that Term Discount Plan. Existing Term Discount Plans are not renewable.**

(N)
|
(N)

ENHANCED FRAME RELAY SERVICE⁽¹⁾

2. Definitions (Cont'd)

- G. Frame Relay Access Line (FRAL) – A UNI that provides access to the EFRS network. A FRAL includes the provision of a frame relay access port and the physical facility from the customer designated location to the Company Central Office.
- H. Frame Relay Access Port (FRAP) – A port on the EFRS network that is used to interconnect other Company provided private line services such as Digital Data Service, High Capacity Service or a digital cross connect system port to the EFRS network. The FRAP is the physical entry point for PVCs. Ports include the electronic equipment used in connecting these service elements to the EFRS network and enable customers to allocate bandwidth to applications as needed.
- I. Enhanced Frame Relay Service (EFRS) – A fast packet network that provides the customer high-speed access and throughput to different customer addresses. Utilizing statistical multiplexing, the EFRS network enables the customer to allocate bandwidth to applications as needed, rather than dedicating fixed channels to specific applications. Customers may select from three different classes of PVCs to ensure greater reliability for mission-critical applications in the event of network congestion.
- J. Enhanced Frame Relay Service Network Serving Area – Area encompassing certain serving area points. Serving area points are those Company central offices designated for the EFRS Network Serving Area.
- K. Gateway Service – Allows the Company EFRS customers to interconnect to other frame relay networks. The service is available wherever the Company has established a network interface with another private or public frame relay network. Gateway Service is only available where such network connectivity exists or where suitable connectivity arrangements can be made that are acceptable to the Company.
- L. Local Access and Transport Area (LATA) - Denotes a geographic area established for the provision and administration of communications service. It encompasses one or more designated exchanges that are grouped to serve common social, economic, and other purposes.
- M. Local Area Network (LAN) – A network permitting the interconnection and intercommunication of a group of computers, primarily for the sharing of resources such as data storage devices and printers.
- N. Logical Channel – A communications channel that allows two-way, simultaneous transmission of sequenced data packets through the network. No circuit capacity is preassigned to a logical channel. Capacity is made available as the data is transmitted. Each PVC is considered one logical channel or one virtual channel.

⁽¹⁾ **Effective July 1, 2015, month-to-month service is discontinued for all existing customers and is not available to new customers. Customers with an existing Term Discount Plan may retain their service until the expiration of that Term Discount Plan. Existing Term Discount Plans are not renewable.**

(N)
|
(N)

ENHANCED FRAME RELAY SERVICE⁽¹⁾

2. Definitions (Cont'd)

- O. Maximum Burst Rate (MBR) - Denotes the maximum information rate at which customer traffic will be admitted to the EFRS network. Traffic rates in excess of MBR will be automatically discarded on ingress to the network. MBR is equal to the sum of the Committed Information Rate (CIR) and Excess Burst Size (B_e).
- P. Network to Network Interface (NNI) – Specifies how a frame relay switch sends and receives data from a frame relay interexchange carrier's or other customer's network.
- Q. Permanent Virtual Circuit (PVC) - Provides a software-defined electronic path between the two ports within the EFRS network. A UNI or NNI port connection can be associated with multiple PVCs. Since all PVCs need not be in use at the same time, it is possible for the total CIR of all PVCs associated with one port to exceed the bandwidth of the port. It is not possible, however for the simultaneous aggregation of the PVCs throughput to exceed the bandwidth of the port. Such a relationship is referred to as oversubscription or overbooking. When oversubscription occurs, there is no guarantee that the bandwidth defined for that PVC will be available at any point in time. PVCs classified as Frame for Voice receive the highest priority routing with PVCs classified as Frame for SNA next in priority. Frame for LAN PVCs receive standard frame relay switching priority.
- R. Private Network Link (PNL) – The facilities, normally DS1 service used from a customer's frame relay switch location to the Company's Enhanced Frame Relay Service Network.
- S. Protocol - A specific set of rules, procedures or conventions relating to format and timing of data transmission between two devices. It is a standard procedure that two data devices must accept and use in order to understand each other. Protocols break a file into parts called blocks or packets. When packets are sent, the receiving computer checks the arriving packets and sends an acknowledgment back to the sending computer.
- T. Servicing Area Points - Geographical locations designated by the Company where EFRS network ports are located and where the EFRS network is accessed.
- U. Serving Central Office (SCO) - The Company central office from which the customer normally receives dial tone.
- V. Systems Network Architecture (SNA) - IBM's data communications scheme.
- W. Statistical Multiplexing – A multiplexing technique in which timeslots are dynamically allocated on the basis of need rather than being predetermined. The data is typically transmitted on a first come, first served basis.

⁽¹⁾ **Effective July 1, 2015, month-to-month service is discontinued for all existing customers and is not available to new customers. Customers with an existing Term Discount Plan may retain their service until the expiration of that Term Discount Plan. Existing Term Discount Plans are not renewable.**

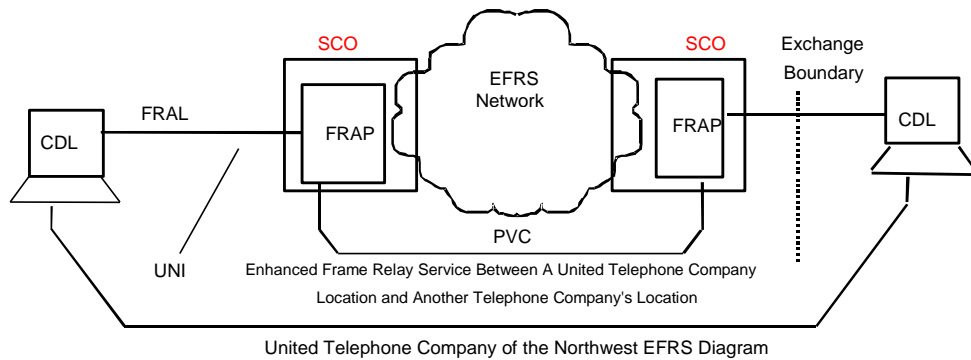
(N)
|
(N)

ENHANCED FRAME RELAY SERVICE⁽¹⁾

2. Definitions (Cont'd)

- X. User to Network Interface (UNI) – A standard interface used to connect the end-user to the Company EFRS network. The UNI receives the data frame from the customer's LAN or other CPE devices and verifies that the DLCI is valid before relaying the frame to the destination point.
- Y. Utilization Reports - Reports that the customer can order that display circuit utilization for Frame Relay Access Ports (FRAP) and Permanent Virtual Circuits (PVC).

The following diagram illustrates some of the above mentioned terms.



CDL = Customer Designated Location
EFRS = Enhanced Frame Relay Service
FRAL = Frame Relay Access Line
FRAP = Frame Relay Access Port
PVC = Permanent Virtual Circuit
SCO = Serving Central Office
UNI = User to Network Interface

⁽¹⁾ **Effective July 1, 2015, month-to-month service is discontinued for all existing customers and is not available to new customers. Customers with an existing Term Discount Plan may retain their service until the expiration of that Term Discount Plan. Existing Term Discount Plans are not renewable.**

(N)
|
(N)

ENHANCED FRAME RELAY SERVICE⁽¹⁾

3. General Regulations

- A. EFRS is available at Company Servicing Area Point locations. EFRS is offered for local, intraLATA and interLATA intrastate use where Company facilities exist. The regulations and rates specified herein are in addition to the applicable regulations and rates specified in other tariffs and other sections of this Price List.
- B. EFRS is provided subject to the availability of facilities.
- C. EFRS is provided to the customer in the form of an FRAL or a combination of digital, private line transport facilities (i.e. Digital Data Service or High Capacity Service) and a FRAP, and a PVC at a specified CIR. The FRAL, or a combination of Digital Data Service and High Capacity Service and a FRAP, form the customer access components to the EFRS network.
- D. 44.210 Mbps service is available at tariffed/price list rates only from serving central offices that have an EFRS switch. 44.210 Mbps service is available at Individual Case Basis (ICB) rates from serving central offices that do not have an EFRS switch. The FRAP Only offerings are provided for digital special access line connections to the network supporting EFRS. Digital special access facilities are available from the Private Line Section of this price list, the Intrastate Access Service Tariff, or the Embarq LOC Companies' F.C.C. No. 1 Tariff.
- E. The minimum service period for EFRS is three months. EFRS may be ordered on a month to month basis or through a Term Discount Plan for fixed periods of 12 to 84 months.
- F. The temporary suspension of service at the customer's request is not allowed for Enhanced Frame Relay Service.
- G. The customer is responsible for payment of a Trouble Isolation Charge, as found in Section 3, for visits by the Company to the customer premises when a service difficulty resulting in a trouble report is caused by the use of equipment or facilities provided by the customer.
- H. When the customer orders additional PVCs, nonrecurring charges will apply. In addition, nonrecurring charges will apply to all changes made to a customer's Frame Relay configuration at the customer's request.

⁽¹⁾ Effective July 1, 2015, month-to-month service is discontinued for all existing customers and is not available to new customers. Customers with an existing Term Discount Plan may retain their service until the expiration of that Term Discount Plan. Existing Term Discount Plans are not renewable.

(N)
|
(N)

ENHANCED FRAME RELAY SERVICE⁽¹⁾

3. General Regulations

- I. A customer subscribing to a FRAL or FRAP and a PVC will be referred to as the Controller of the FRAL or FRAP. A customer may request data transmission capability to a different customer's location. Both customers must subscribe to Enhanced Frame Relay Service. The customer requesting PVC connectivity to another customer's location as such must have written permission from the Controller of the FRAL or FRAP for this data transmission capability.

The FRAL or FRAP and PVC may be ordered and billed independently and can have different customers as Controllers. A request by one customer to discontinue a PVC does not result in the disconnection of the FRAL and/or FRAP. Only the Controller of a FRAL or FRAP may authorize the disconnection of that FRAL or FRAP.

- J. Whenever facilities are provided jointly by the Company and one or more other telephone companies, the regulations, rates and charges of such other telephone companies apply for the equipment and facilities furnished by them for use in connection with the interexchange EFRS provided by the Company.
- K. Where it is necessary to use interexchange or local channel facilities of another telephone company in order to furnish a private line service to interconnect to the Company's EFRS, such service will be furnished only if satisfactory arrangements can be made with the other company.
- L. Due to technical limitations, the distance between the SWC and the customer designated location (CDL) is limited to approximately 12,000 feet for 1.544 Mbps access or 18,000 feet for 56 kbps access. A Company engineer may allow some deviation of this specification based on the gauge of wire used. For access lines that exceed this specification, the access line may be made operational by adding additional equipment. The Company will apply Line Extension Service, as defined in Section 4 of the Price List, for the additional time and material required.
- M. Special Arrangements, as defined in Section 4 of the Tariff, may apply when technical limitations and/or the lack of facilities exist, or if it is necessary to construct facilities to satisfy service requests.

⁽¹⁾ **Effective July 1, 2015, month-to-month service is discontinued for all existing customers and is not available to new customers. Customers with an existing Term Discount Plan may retain their service until the expiration of that Term Discount Plan. Existing Term Discount Plans are not renewable.**

(N)
|
(N)

ENHANCED FRAME RELAY SERVICE⁽¹⁾

4. Obligations of the Company

- A. The responsibility of the Company is limited to furnishing network equipment suitable for EFRS and to the maintenance and operation of such equipment in a manner proper for such service. Subject to this responsibility, the Company is not responsible for the through transmission of signals generated by the customer provided equipment or system, or for the quality of, or defects in, such transmission or the reception of signals by such equipment or systems.
- B. The Company is not responsible for installation, operation or maintenance of any terminal equipment, data unit or communications system provided by a customer or user. The Company is not responsible for adapting EFRS to the technological requirements of any specific customer equipment.
- C. The Company is not responsible to the customer or user if changes in any of the equipment, operations or procedures of the Company used in the provision of EFRS render any facilities provided by the customer or user obsolete or require modification or alteration of such equipment or system or otherwise affect its use or performance, provided the Company has met any applicable information disclosure requirements otherwise required by law.
- D. In order to maintain the quality of EFRS, the Company reserves the right to perform preventative maintenance and software updates to the network. The Company has classified this maintenance as follows:

1. Scheduled Maintenance

Scheduled maintenance is used to perform such functions as hardware and software upgrades and network optimization. The Company will perform these tasks in a maintenance window that is defined as occurring between midnight and 6 a.m., local time, on Monday. The Company reserves the same time period for any other day(s) of the week to facilitate maintenance which cannot be completed during the Monday maintenance window. The Company will provide advance notice of all scheduled maintenance.

2. Demand Maintenance

Demand maintenance may occur as a result of unexpected events and is performed when EFRS network elements are in jeopardy. The Company will perform this type of maintenance at its discretion. Due to the nature of demand maintenance prior notification may not be possible; however, the customer will be informed when the maintenance has been completed.

⁽¹⁾ Effective July 1, 2015, month-to-month service is discontinued for all existing customers and is not available to new customers. Customers with an existing Term Discount Plan may retain their service until the expiration of that Term Discount Plan. Existing Term Discount Plans are not renewable.

(N)
|
(N)

ENHANCED FRAME RELAY SERVICE⁽¹⁾

5. Obligations of the Customer

- A. The customer's frame relay compatible terminal equipment is responsible for re-transmitting frames that are discarded due to errors or network congestion.
- B. Where EFRS is available for use in connection with communications systems or equipment provided by a customer or user, the operating characteristics of such systems or equipment shall be such as not to interfere with any services offered by the Company. Such use is subject to the further provisions that the equipment provided by the customer or user does not endanger the safety of Company employees or the public; does not damage, harm, require change in or alteration of the equipment or other services of the Company; does not interfere with the proper operation of the Company's equipment or does not otherwise injure the public in its use of Company services. Upon notice from the Company that the equipment provided by the customer or user is causing, or is likely to cause, such hazard or interference, the customer shall take the necessary steps to remove or prevent such hazard or interference.
- C. The customer, upon request, shall furnish such CPE information as may be required to permit the Company to design and maintain the EFRS it offers and to assure that the service arrangement is in compliance with the regulations contained herein.
- D. Upon service subscription, the customer must specify the CIR class and B_e of each PVC ordered. CIR is the maximum information rate at which the customer's traffic will be admitted to the EFRS network without being designated eligible for discard. A default of fifty (50) percent of the smallest port size will be assigned as the CIR should the information not be provided. No individual PVC CIR shall exceed (95) percent of the FRAP access rate. The sum of all CIR on a single FRAP must not exceed two hundred (200) percent of the FRAP access rate.

⁽¹⁾ **Effective July 1, 2015, month-to-month service is discontinued for all existing customers and is not available to new customers. Customers with an existing Term Discount Plan may retain their service until the expiration of that Term Discount Plan. Existing Term Discount Plans are not renewable.**

(N)
|
(N)

ENHANCED FRAME RELAY SERVICE ⁽¹⁾

6. Term Discount Plan (TDP)

A. Term Discount Plans (TDPs) are available for FRALs, FRAPs and PNLs. TDPs provide the customer with discounted rates for the services listed. The customer agrees to a minimum service commitment period for EFRS when the TDP is established. Customers may disconnect or move PVCs and not be subject to termination liability charges. The customer must order a TDP in writing to the Company. A TDP may be ordered in one month increments, based on the following plan options:

- Plan A: 12 - 23 months
- Plan B: 24 - 35 months
- Plan C: 36 - 59 months
- Plan D: 60 - 84 months

B. The customer must specify the length of the initial service period at the time the service is ordered. When a customer converts to a TDP, no administrative charges are applied toward facilities in-service at that time. If a customer moves from a month to month plan to a TDP, or upgrades from one TDP to another, no administrative charges are applied.

C. If a customer under a Term Discount Plan (TDP) disconnects all or a portion of EFRS prior to the expiration of the TDP, then a Termination Liability Charge will apply to those services that are disconnected. The Termination Liability Charge will be a one-time charge equal to the sum of 50% of the payments remaining for the rest of the TDP. If Special Arrangements were applied to the service being terminated, any termination charges associated with Special Arrangements will also apply.

D. Rate increases or decreases will automatically be applied to the monthly term plan rates for the remaining term of the TDP. If a Company initiated rate increase to any rate element or combination of rate elements causes the charges for the entire Enhanced Frame Relay Service under the TDP to increase by 10% or more at any one time, then the customer may cancel the TDP without incurring termination liability charges provided the customer notifies the Company within 30 days after the effective date of the rate increase.

E. TDP commitment periods can be extended by the customer at any time during the term of the plan, up to a maximum of 84 months. The number of months accrued in the current plan will apply toward the new plan selected.

F. At the end of the TDP service commitment period, the customer may subscribe to a new TDP at the prevailing rates set forth in Section 19.8. following. If the customer does not select a new TDP, the rates will convert to the prevailing month to month rates.

⁽¹⁾ **Effective July 1, 2015, month-to-month service is discontinued for all existing customers and is not available to new customers. Customers with an existing Term Discount Plan may retain their service until the expiration of that Term Discount Plan. Existing Term Discount Plans are not renewable.**

(N)
|
(N)

ENHANCED FRAME RELAY SERVICE⁽¹⁾

6. Term Discount Plan (TDP) (Cont'd)

- G. When a service or rate element under a Term Discount Plan (TDP) arrangement is disconnected prior to the expiration of a selected service period as a result of a change in tariff jurisdiction and/or a customer requested change to a next generation service offering of a separately tariffed/price listed service, Termination Charges will not apply when:

The service period of the new Term Discount Plan arrangement for the new service offering is a minimum period equal to or exceeding the remaining service period of the disconnected arrangement, whichever is greater, and

The service orders to install the new service and disconnect the old service are related together, and there is no lapse in service between installation of the new service and disconnection of the existing service, and

The service orders are for the same customer at the same location.

Enhanced Frame Relay Service to: Asynchronous Transfer Mode (ATM) is an example of a next generation service offering.

7. Service Components

- A. Administrative Charge – Applies to changes in a customer's network associated with existing PVCs or existing Gateway Service. For example, changing the CIR from 128 Kbps to 256 Kbps or changing the service class from Frame for LAN to Frame for SNA. Although multiple changes can be caused by such actions, only one administrative charge applies per customer request. The administrative charge does not apply when a customer moves an existing PVC to a new location within the customer's network. In this case, the appropriate nonrecurring charge will be applied to the new location.

This administrative charge applies in addition to applicable Service Connection/ Nonrecurring Charges as specified in Section 3 of this price list.

⁽¹⁾ **Effective July 1, 2015, month-to-month service is discontinued for all existing customers and is not available to new customers. Customers with an existing Term Discount Plan may retain their service until the expiration of that Term Discount Plan. Existing Term Discount Plans are not renewable.**

(N)
|
(N)

ENHANCED FRAME RELAY SERVICE ⁽¹⁾

7. Service Components (Cont'd)

- B. CIR and PVC - A monthly rate applies for each PVC based on the CIR requested by the customer. If no CIR is indicated, the CIR will be set at the default of 50% of the associated FRAP. A nonrecurring charge applies for the establishment of each PVC and for each subsequent order of PVC(s). A separate rate is established for PVCs that are intraLATA and for PVCs that are interLATA.

Customers may select from three different classes of PVCs to ensure greater reliability for mission-critical applications in the event of network congestion:

<u>Service Class</u>	<u>Type</u>	<u>PVC Priority</u>
Frame for LAN	Standard	Normal
Frame for SNA	Premium	Higher
Frame for Voice	Premium	Highest

This flexibility helps to ensure maximum performance and satisfaction for individual customer data applications.

- C. Frame Relay Access Line (FRAL) - A nonrecurring charge and monthly rate applies based on the speed of the port connection for each physical connection. The FRAL includes the provision of a port.
- D. Frame Relay Access Port (FRAP) - A nonrecurring charge and monthly rate based on the speed of the port connection applies per port connection to the network supporting EFRS. The port rate element can be used in lieu of the FRAL element if the customer has an alternative Company-approved means of access to the EFRS network (such as Digital Data and/or High Capacity Service).

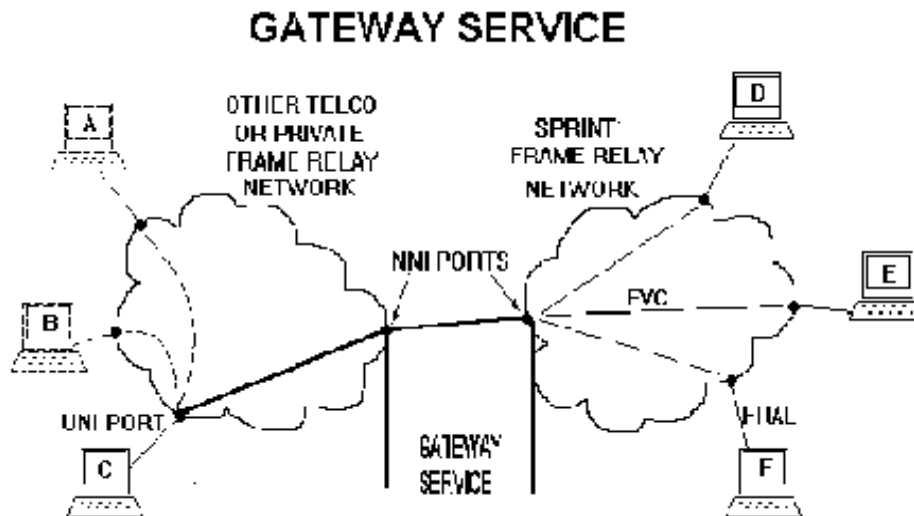
⁽¹⁾ **Effective July 1, 2015, month-to-month service is discontinued for all existing customers and is not available to new customers. Customers with an existing Term Discount Plan may retain their service until the expiration of that Term Discount Plan. Existing Term Discount Plans are not renewable.**

(N)
|
(N)

ENHANCED FRAME RELAY SERVICE⁽¹⁾

7. Service Components (Cont'd)

- E. Gateway Service - This service allows the Company EFRS customers to interconnect to another frame relay network. The service is available wherever the Company has established a network interface with another private or public frame relay network. The charge for this service covers the FRAP and interconnecting facilities from the Company to the interconnection point with the other provider. The Gateway charge is purchased in increments of CIR. The following diagram shows a typical customer network with three data devices interconnected to the Company EFRS (sites D, E & F). The customer needs to interconnect the data devices to a fourth site (C) served by another company. The customer accomplishes this by ordering three PVCs and three Gateway service connections to the other company's frame relay network. This example assumes that frame relay access from site C is already established as illustrated.



- F. Private Network Link (PNL) - A charge for a DS1 facility from a customer's frame relay switch location to the Company's EFRS Network. In addition to the access facility, a 1.544 FRAP must be purchased.
- G. Utilization Reports - Reports that the customer can order that display certain circuit utilization statistics for Permanent Virtual Circuits (PVC) and Frame Relay Access Ports (FRAP). The PVC report summarizes inbound and outbound packet discards and displays utilization as a percentage of CIR. The FRAP report summarizes inbound and outbound packet discards and displays utilization as a percent of port speed. Reports are ordered on a per port basis. Service is not available to NNI locations. A monthly plan and Term Discount Plans are available for fixed periods of 12 to 60 months. Reports are available only where Company facilities permit.

⁽¹⁾ **Effective July 1, 2015, month-to-month service is discontinued for all existing customers and is not available to new customers. Customers with an existing Term Discount Plan may retain their service until the expiration of that Term Discount Plan. Existing Term Discount Plans are not renewable.**

(N)
|
(N)

UNITED TELEPHONE COMPANY OF THE NORTHWEST
OREGON PRICE LIST

Section 19
1st Revised Page 14
Cancels Original Page 14

ENHANCED FRAME RELAY SERVICE ⁽¹⁾

8. Rates and Charges

A. Frame Relay Access Line (FRAL) (includes Access Line and Port)

	<u>S&E Code</u>	<u>Monthly Rate</u>	<u>Nonrecurring Charge</u>
56 Kbps			
Month to month	FCEALTA	\$130.00	\$375.00
12-23 months	FCEALTA(F1Y)	125.00	275.00
24-35 months	FCEALTA(F2Y)	120.00	175.00
36-59 months	FCEALTA(F3Y)	115.00	0.00
60-84 months	FCEALTA(F5Y)	110.00	0.00
64 Kbps*			
Month to month	FCEALTC	175.00	375.00
12-23 months	FCEALTC(F1Y)	165.00	275.00
24-35 months	FCEALTC(F2Y)	155.00	175.00
36-59 months	FCEALTC(F3Y)	145.00	0.00
60-84 months	FCEALTC(F5Y)	135.00	0.00
128 Kbps			
Month to month	FCEALTD	280.00	495.00
12-23 months	FCEALTD(F1Y)	275.00	395.00
24-35 months	FCEALTD(F2Y)	270.00	295.00
36-59 months	FCEALTD(F3Y)	260.00	0.00
60-84 months	FCEALTD(F5Y)	240.00	0.00
256 Kbps			
Month to month	FCEALTE	305.00	525.00
12-23 months	FCEALTE(F1Y)	295.00	425.00
24-35 months	FCEALTE(F2Y)	285.00	325.00
36-59 months	FCEALTE(F3Y)	275.00	0.00
60-84 months	FCEALTE(F5Y)	250.00	0.00
384 Kbps			
Month to month	FCEALTF	340.00	550.00
12-23 months	FCEALTF(F1Y)	330.00	450.00
24-35 months	FCEALTF(F2Y)	320.00	350.00
36-59 months	FCEALTF(F3Y)	300.00	0.00
60-84 months	FCEALTF(F5Y)	270.00	0.00
512 Kbps			
Month to month	FCEALTG	360.00	575.00
12-23 months	FCEALTG(F1Y)	350.00	475.00
24-35 months	FCEALTG(F2Y)	340.00	375.00
36-59 months	FCEALTG(F3Y)	330.00	0.00
60-84 months	FCEALTG(F5Y)	310.00	0.00
1.544 Mbps			
Month to month	FCEALTB	385.00	625.00
12-23 months	FCEALTB(F1Y)	375.00	490.00
24-35 months	FCEALTB(F2Y)	370.00	340.00
36-59 months	FCEALTB(F3Y)	365.00	0.00
60-84 months	FCEALTB(F5Y)	340.00	0.00

* 64 Kbps Clear Channel Capability is provided upon request where facilities are available.

⁽¹⁾ **Effective July 1, 2015, month-to-month service is discontinued for all existing customers and is not available to new customers. Customers with an existing Term Discount Plan may retain their service until the expiration of that Term Discount Plan. Existing Term Discount Plans are not renewable.**

(N)
|
(N)

ENHANCED FRAME RELAY SERVICE ⁽¹⁾

8. Rates and Charges (Cont'd)

A. Frame Relay Access Line (FRAL) (includes Access Line and Port) (Cont'd)

	<u>S&E Code</u>	<u>Monthly Rate</u>	<u>Nonrecurring Charge</u>
*3 Mbps (2xDS1)			
Month to month	FCEALTM	\$ 800.00	\$625.00
12-23 months	FCEALTM(F1Y)	650.00	490.00
24-35 months	FCEALTM(F2Y)	550.00	340.00
36-59 months	FCEALTM(F3Y)	475.00	0.00
60-84 months	FCEALTM(F5Y)	425.00	0.00
*6 Mbps (4xDS1)			
Month to month	FCEALTN	1,350.00	625.00
12-23 months	FCEALTN(F1Y)	1,200.00	490.00
24-35 months	FCEALTN(F2Y)	1,000.00	340.00
36-59 months	FCEALTN(F3Y)	900.00	\$0.00
60-84 months	FCEALTN(F5Y)	800.00	\$0.00
*10.5 Mbps (7xDS1)			
Month to month	FCEALTY	1,575.00	625.00
12-23 months	FCEALTY(F1Y)	1,425.00	490.00
24-35 months	FCEALTY(F2Y)	1,325.00	340.00
36-59 months	FCEALTY(F3Y)	1,250.00	0.00
60-84 months	FCEALTY(F5Y)	1,200.00	0.00
*12 Mbps (8xDS1)			
Month to month	FCEALTZ	1,750.00	625.00
12-23 months	FCEALTZ(F1Y)	1,600.00	490.00
24-35 months	FCEALTZ(F2Y)	1,500.00	340.00
36-59 months	FCEALTZ(F3Y)	1,425.00	0.00
60-84 months	FCEALTZ(F5Y)	1,375.00	0.00

* Where facilities are available. CPE must be compliant with Frame Relay Forum.16 (FRF.16), Multilink Frame Relay Protocol Industry Standard.

⁽¹⁾ **Effective July 1, 2015, month-to-month service is discontinued for all existing customers and is not available to new customers. Customers with an existing Term Discount Plan may retain their service until the expiration of that Term Discount Plan. Existing Term Discount Plans are not renewable.**

(N)
|
(N)

ENHANCED FRAME RELAY SERVICE ⁽¹⁾

8. Rates and Charges (Cont'd)

A. Frame Relay Access Line (FRAL) (includes Access Line and Port) (Cont'd)

	<u>S&E Code</u>	<u>Monthly Rate</u>	<u>Nonrecurring Charge</u>
44.210 Mbps* Customer Provided Equipment			
Month to month			
0-3 miles	FCEALTH	\$2,905.00	\$995.00
Over 3 miles	FCEALTJ	3,195.00	995.00
12-23 months			
0-3 miles	FCEALTH(F1Y)	2,760.00	795.00
Over 3 miles	FCEALTJ(F1Y)	3,035.00	795.00
24-35 months			
0-3 miles	FCEALTH(F2Y)	2,645.00	595.00
Over 3 miles	FCEALTJ(F2Y)	2,910.00	595.00
36-59 months			
0-3 miles	FCEALTH(F3Y)	2,525.00	0.00
Over 3 miles	FCEALTJ(F3Y)	2,780.00	0.00
60-84 months			
0-3 miles	FCEALTH(F5Y)	2,385.00	0.00
Over 3 miles	FCEALTJ(F5Y)	2,620.00	0.00
44.210 Mbps* Company Provided Equipment			
Month to month			
0-3 miles	FCEALTK	3,920.00	995.00
Over 3 miles	FCEALTL	4,235.00	995.00
12-23 months			
0-3 miles	FCEALTK(F1Y)	3,725.00	795.00
Over 3 miles	FCEALTL(F1Y)	4,025.00	795.00
24-35 months			
0-3 miles	FCEALTK(F2Y)	3,570.00	595.00
Over 3 miles	FCEALTL(F2Y)	3,855.00	595.00
36-59 months			
0-3 miles	FCEALTK(F3Y)	3,410.00	0.00
Over 3 miles	FCEALTL(F3Y)	3,685.00	0.00
60-84 months			
0-3 miles	FCEALTK(F5Y)	3,215.00	0.00
Over 3 miles	FCEALTL(F5Y)	3,475.00	0.00

* Where facilities are available

⁽¹⁾ **Effective July 1, 2015, month-to-month service is discontinued for all existing customers and is not available to new customers. Customers with an existing Term Discount Plan may retain their service until the expiration of that Term Discount Plan. Existing Term Discount Plans are not renewable.**

(N)
|
(N)

UNITED TELEPHONE COMPANY OF THE NORTHWEST
OREGON PRICE LIST

Section 19
1st Revised Page 17
Cancels Original Page 17

ENHANCED FRAME RELAY SERVICE ⁽¹⁾

8. Rates and Charges (Cont'd)

B. Frame Relay Access Port (FRAP) Only

	<u>S&E Code</u>	<u>Monthly Rate</u>	<u>Nonrecurring Charge</u>
56 Kbps			
Month to month	FCEALA0	\$ 61.20	\$155.00
12-23 months	FCEALA0(F1Y)	58.00	135.00
24-35 months	FCEALA0(F2Y)	55.00	115.00
36-59 months	FCEALA0(F3Y)	53.00	95.00
60-84 months	FCEALA0(F5Y)	50.00	75.00
64 Kbps*			
Month to month	FCEALC0	65.00	175.00
12-23 months	FCEALC0(F1Y)	60.00	155.00
24-35 months	FCEALC0(F2Y)	58.00	135.00
36-59 months	FCEALC0(F3Y)	55.00	115.00
60-84 months	FCEALC0(F5Y)	53.00	95.00
128 Kbps			
Month to month	FCEALD0	105.90	225.00
12-23 months	FCEALD0(F1Y)	100.00	200.00
24-35 months	FCEALD0(F2Y)	96.00	175.00
36-59 months	FCEALD0(F3Y)	94.00	150.00
60-84 months	FCEALD0(F5Y)	86.00	125.00
256 Kbps			
Month to month	FCEALE0	141.20	250.00
12-23 months	FCEALE0(F1Y)	138.00	225.00
24-35 months	FCEALE0(F2Y)	134.00	200.00
36-59 months	FCEALE0(F3Y)	132.00	175.00
60-84 months	FCEALE0(F5Y)	120.00	150.00
384 Kbps			
Month to month	FCEALF0	176.50	275.00
12-23 months	FCEALF0(F1Y)	172.00	250.00
24-35 months	FCEALF0(F2Y)	168.00	225.00
36-59 months	FCEALF0(F3Y)	164.00	200.00
60-84 months	FCEALF0(F5Y)	150.00	175.00
512 Kbps			
Month to month	FCEALG0	180.00	300.00
12-23 months	FCEALG0(F1Y)	176.00	275.00
24-35 months	FCEALG0(F2Y)	172.00	250.00
36-59 months	FCEALG0(F3Y)	170.00	225.00
60-84 months	FCEALG0(F5Y)	160.00	200.00

* 64 Kbps Clear Channel Capability is provided upon request where facilities are available

⁽¹⁾ **Effective July 1, 2015, month-to-month service is discontinued for all existing customers and is not available to new customers. Customers with an existing Term Discount Plan may retain their service until the expiration of that Term Discount Plan. Existing Term Discount Plans are not renewable.**

(N)
|
(N)

UNITED TELEPHONE COMPANY OF THE NORTHWEST
OREGON PRICE LIST

Section 19
1st Revised Page 18
Cancels Original Page 18

ENHANCED FRAME RELAY SERVICE ⁽¹⁾

8. Rates and Charges (Cont'd)

B. Frame Relay Access Port (FRAP) Only (Cont'd)

	<u>S&E Code</u>	<u>Monthly Rate</u>	<u>Nonrecurring Charge</u>
1.544 Mbps			
Month to month	FCEALB0	\$ 252.90	\$325.00
12-23 months	FCEALB0(F1Y)	248.00	300.00
24-35 months	FCEALB0(F2Y)	244.00	275.00
36-59 months	FCEALB0(F3Y)	240.00	250.00
60-84 months	FCEALB0(F5Y)	215.00	225.00
44.210 Mbps			
Month to month	FCEALH0	2,035.00	695.00
12-23 months	FCEALH0(F1Y)	1,930.00	595.00
24-35 months	FCEALH0(F2Y)	1,850.00	495.00
36-59 months	FCEALH0(F3Y)	1,770.00	395.00
60-84 months	FCEALH0(F5Y)	1,670.00	295.00

C. Permanent Virtual Circuit (PVC) – IntraLATA

<u>CIR, per PVC</u>	<u>S&E Code</u>	<u>Monthly Rate</u>	<u>Nonrecurring Charge</u>
Over 0 thru 8 Kbps			
Frame for LAN	FCEALVL(AP3)	\$ 3.00	\$10.00
Frame for SNA	FCEALVL(AP2)	4.00	10.00
Frame for Voice	FCEALVL(AP1)	5.00	10.00
Over 8 thru 16 Kbps			
Frame for LAN	FCEALVL(BP3)	4.00	10.00
Frame for SNA	FCEALVL(BP2)	5.00	10.00
Frame for Voice	FCEALVL(BP1)	6.00	10.00
Over 16 thru 24 Kbps			
Frame for LAN	FCEALVL(TP3)	5.00	10.00
Frame for SNA	FCEALVL(TP2)	6.00	10.00
Frame for Voice	FCEALVL(TP1)	7.00	10.00
Over 24 thru 32 Kbps			
Frame for LAN	FCEALVL(DP3)	7.00	10.00
Frame for SNA	FCEALVL(DP2)	8.00	10.00
Frame for Voice	FCEALVL(DP1)	9.00	10.00
Over 32 thru 40 Kbps			
Frame for LAN	FCEALVL(EP3)	8.00	10.00
Frame for SNA	FCEALVL(EP2)	9.00	10.00
Frame for Voice	FCEALVL(EP1)	10.00	10.00

⁽¹⁾ Effective July 1, 2015, month-to-month service is discontinued for all existing customers and is not available to new customers. Customers with an existing Term Discount Plan may retain their service until the expiration of that Term Discount Plan. Existing Term Discount Plans are not renewable.

(N)
|
(N)

UNITED TELEPHONE COMPANY OF THE NORTHWEST
OREGON PRICE LIST

Section 19
1st Revised Page 19
Cancels Original Page 19

ENHANCED FRAME RELAY SERVICE ⁽¹⁾

8. Rates and Charges (Cont'd)

C. Permanent Virtual Circuit (PVC) - IntraLATA (Cont'd)

<u>CIR, per PVC</u>	<u>S&E Code</u>	<u>Monthly Rate</u>	<u>Nonrecurring Charge</u>
Over 40 thru 48 Kbps			
Frame for LAN	FCEALVL(FP3)	\$ 9.00	\$10.00
Frame for SNA	FCEALVL(FP2)	10.00	10.00
Frame for Voice	FCEALVL(FP1)	11.00	10.00
Over 48 thru 56 Kbps			
Frame for LAN	FCEALVL(GP3)	10.00	10.00
Frame for SNA	FCEALVL(GP2)	11.00	10.00
Frame for Voice	FCEALVL(GP1)	12.00	10.00
Over 56 thru 64 Kbps			
Frame for LAN	FCEALVL(HP3)	20.00	10.00
Frame for SNA	FCEALVL(HP2)	21.00	10.00
Frame for Voice	FCEALVL(HP1)	22.00	10.00
Over 64 thru 128 Kbps			
Frame for LAN	FCEALVL(IP3)	25.00	10.00
Frame for SNA	FCEALVL(IP2)	29.00	10.00
Frame for Voice	FCEALVL(IP1)	33.00	10.00
Over 128 thru 256 Kbps			
Frame for LAN	FCEALVL(JP3)	30.00	10.00
Frame for SNA	FCEALVL(JP2)	35.00	10.00
Frame for Voice	FCEALVL(JP1)	37.00	10.00
Over 256 thru 384 Kbps			
Frame for LAN	FCEALVL(KP3)	35.00	10.00
Frame for SNA	FCEALVL(KP2)	40.00	10.00
Frame for Voice	FCEALVL(KP1)	45.00	10.00
Over 384 thru 512 Kbps			
Frame for LAN	FCEALVL(LP3)	40.00	10.00
Frame for SNA	FCEALVL(LP2)	45.00	10.00
Frame for Voice	FCEALVL(LP1)	50.00	10.00
Over 512 thru 768 Kbps			
Frame for LAN	FCEALVL(MP3)	55.00	10.00
Frame for SNA	FCEALVL(MP2)	60.00	10.00
Frame for Voice	FCEALVL(MP1)	65.00	10.00
Over 768 thru 1.536 Mbps			
Frame for LAN	FCEALVL(NP3)	65.00	10.00
Frame for SNA	FCEALVL(NP2)	75.00	10.00
Frame for Voice	FCEALVL(NP1)	85.00	10.00
Over 1.536 thru 4 Mbps			
Frame for LAN	FCEALVL(OP3)	120.00	10.00
Frame for SNA	FCEALVL(OP2)	135.00	10.00
Frame for Voice	FCEALVL(OP1)	150.00	10.00

⁽¹⁾ Effective July 1, 2015, month-to-month service is discontinued for all existing customers and is not available to new customers. Customers with an existing Term Discount Plan may retain their service until the expiration of that Term Discount Plan. Existing Term Discount Plans are not renewable.

(N)
|
(N)

ENHANCED FRAME RELAY SERVICE ⁽¹⁾

8. Rates and Charges (Cont'd)

C. Permanent Virtual Circuit (PVC) - IntraLATA (Cont'd)

<u>CIR, per PVC</u>	<u>S&E Code</u>	<u>Monthly Rate</u>	<u>Nonrecurring Charge</u>
Over 4 thru 10 Mbps			
Frame for LAN	FCEALVL(PP3)	\$180.00	\$10.00
Frame for SNA	FCEALVL(PP2)	200.00	10.00
Frame for Voice	FCEALVL(PP1)	220.00	10.00
Over 10 thru 16 Mbps			
Frame for LAN	FCEALVL(QP3)	295.00	10.00
Frame for SNA	FCEALVL(QP2)	315.00	10.00
Frame for Voice	FCEALVL(QP1)	335.00	10.00
Over 16 thru 34 Mbps			
Frame for LAN	FCEALVL(RP3)	625.00	10.00
Frame for SNA	FCEALVL(RP2)	645.00	10.00
Frame for Voice	FCEALVL(RP1)	665.00	10.00
Over 34 thru 44.210 Mbps			
Frame for LAN	FCEALVL(SP3)	825.00	10.00
Frame for SNA	FCEALVL(SP2)	845.00	10.00
Frame for Voice	FCEALVL(SP1)	865.00	10.00

D. Permanent Virtual Circuit (PVC) – InterLATA

<u>CIR, per PVC</u>	<u>S&E Code</u>	<u>Monthly Rate</u>	<u>Nonrecurring Charge</u>
Over 0 thru 8 Kbps			
Frame for LAN	FCEALVI(AP3)	\$ 4.00	\$10.00
Frame for SNA	FCEALVI(AP2)	5.00	10.00
Frame for Voice	FCEALVI(AP1)	6.00	10.00
Over 8 thru 16 Kbps			
Frame for LAN	FCEALVI(BP3)	5.00	10.00
Frame for SNA	FCEALVI(BP2)	6.00	10.00
Frame for Voice	FCEALVI(BP1)	7.00	10.00
Over 16 thru 24 Kbps			
Frame for LAN	FCEALVI(TP3)	6.00	10.00
Frame for SNA	FCEALVI(TP2)	7.00	10.00
Frame for Voice	FCEALVI(TP1)	8.00	10.00
Over 24 thru 32 Kbps			
Frame for LAN	FCEALVI(DP3)	8.00	10.00
Frame for SNA	FCEALVI(DP2)	9.00	10.00
Frame for Voice	FCEALVI(DP1)	10.00	10.00
Over 32 thru 40 Kbps			
Frame for LAN	FCEALVI(EP3)	10.00	10.00
Frame for SNA	FCEALVI(EP2)	11.00	10.00
Frame for Voice	FCEALVI(EP1)	12.00	10.00

⁽¹⁾ Effective July 1, 2015, month-to-month service is discontinued for all existing customers and is not available to new customers. Customers with an existing Term Discount Plan may retain their service until the expiration of that Term Discount Plan. Existing Term Discount Plans are not renewable.

(N)
|
(N)

UNITED TELEPHONE COMPANY OF THE NORTHWEST
OREGON PRICE LIST

Section 19
1st Revised Page 21
Cancels Original Page 21

ENHANCED FRAME RELAY SERVICE ⁽¹⁾

8. Rates and Charges (Cont'd)

D. Permanent Virtual Circuit (PVC) - InterLATA (Cont'd)

<u>CIR, per PVC</u>	<u>S&E Code</u>	<u>Monthly Rate</u>	<u>Nonrecurring Charge</u>
Over 40 thru 48 Kbps			
Frame for LAN	FCEALVI(FP3)	\$ 12.00	\$10.00
Frame for SNA	FCEALVI(FP2)	13.00	10.00
Frame for Voice	FCEALVI(FP1)	14.00	10.00
Over 48 thru 56 Kbps			
Frame for LAN	FCEALVI(GP3)	14.00	10.00
Frame for SNA	FCEALVI(GP2)	15.00	10.00
Frame for Voice	FCEALVI(GP1)	16.00	10.00
Over 56 thru 64 Kbps			
Frame for LAN	FCEALVI(HP3)	16.00	10.00
Frame for SNA	FCEALVI(HP2)	17.00	10.00
Frame for Voice	FCEALVI(HP1)	18.00	10.00
Over 64 thru 128 Kbps			
Frame for LAN	FCEALVI(IP3)	28.00	10.00
Frame for SNA	FCEALVI(IP2)	31.00	10.00
Frame for Voice	FCEALVI(IP1)	34.00	10.00
Over 128 thru 256 Kbps			
Frame for LAN	FCEALVI(JP3)	38.00	10.00
Frame for SNA	FCEALVI(JP2)	42.00	10.00
Frame for Voice	FCEALVI(JP1)	46.00	10.00
Over 256 thru 384 Kbps			
Frame for LAN	FCEALVI(KP3)	44.00	10.00
Frame for SNA	FCEALVI(KP2)	48.00	10.00
Frame for Voice	FCEALVI(KP1)	52.00	10.00
Over 384 thru 512 Kbps			
Frame for LAN	FCEALVI(LP3)	50.00	10.00
Frame for SNA	FCEALVI(LP2)	53.00	10.00
Frame for Voice	FCEALVI(LP1)	56.00	10.00
Over 512 thru 768 Kbps			
Frame for LAN	FCEALVI(MP3)	58.00	10.00
Frame for SNA	FCEALVI(MP2)	64.00	10.00
Frame for Voice	FCEALVI(MP1)	70.00	10.00
Over 768 thru 1.536 Mbps			
Frame for LAN	FCEALVI(NP3)	90.00	10.00
Frame for SNA	FCEALVI(NP2)	100.00	10.00
Frame for Voice	FCEALVI(NP1)	110.00	10.00
Over 1.536 thru 4 Mbps			
Frame for LAN	FCEALVI(OP3)	180.00	10.00
Frame for SNA	FCEALVI(OP2)	200.00	10.00
Frame for Voice	FCEALVI(OP1)	225.00	10.00

⁽¹⁾ **Effective July 1, 2015, month-to-month service is discontinued for all existing customers and is not available to new customers. Customers with an existing Term Discount Plan may retain their service until the expiration of that Term Discount Plan. Existing Term Discount Plans are not renewable.**

(N)
|
(N)

UNITED TELEPHONE COMPANY OF THE NORTHWEST
OREGON PRICE LIST

Section 19
1st Revised Page 22
Cancels Original Page 22

ENHANCED FRAME RELAY SERVICE ⁽¹⁾

8. Rates and Charges (Cont'd)

D. Permanent Virtual Circuit (PVC) - InterLATA (Cont'd)

<u>CIR, per PVC</u>	<u>S&E Code</u>	<u>Monthly Rate</u>	<u>Nonrecurring Charge</u>
Over 4 thru 10 Mbps			
Frame for LAN	FCEALVI(PP3)	\$255.00	\$10.00
Frame for SNA	FCEALVI(PP2)	285.00	10.00
Frame for Voice	FCEALVI(PP1)	320.00	10.00
Over 10 thru 16 Mbps			
Frame for LAN	FCEALVI(QP3)	375.00	10.00
Frame for SNA	FCEALVI(QP2)	415.00	10.00
Frame for Voice	FCEALVI(QP1)	470.00	10.00
Over 16 thru 34 Mbps			
Frame for LAN	FCEALVI(RP3)	635.00	10.00
Frame for SNA	FCEALVI(RP2)	655.00	10.00
Frame for Voice	FCEALVI(RP1)	675.00	10.00
Over 34 thru 44.210 Mbps			
Frame for LAN	FCEALVI(SP3)	835.00	10.00
Frame for SNA	FCEALVI(SP2)	855.00	10.00
Frame for Voice	FCEALVI(SP1)	872.00	10.00

E. Private Network Link (PNL)

<u>1.544 Mbps NNI</u>	<u>S&E Code</u>	<u>Monthly Rate</u>	<u>Nonrecurring Charge</u>
Month to month	FCECRTA	\$225.00	\$395.00
12-23 months	FCECRTA(1YR)	205.00	295.00
24-35 months	FCECRTA(2YR)	185.00	195.00
36-59 months	FCECRTA(3YR)	165.00	0.00
60-84 months	FCECRTA(5YR)	150.00	0.00

⁽¹⁾ Effective July 1, 2015, month-to-month service is discontinued for all existing customers and is not available to new customers. Customers with an existing Term Discount Plan may retain their service until the expiration of that Term Discount Plan. Existing Term Discount Plans are not renewable.

(N)
|
(N)

ENHANCED FRAME RELAY SERVICE ⁽¹⁾

8. Rates and Charges (Cont'd)

F. Administrative Charge

An administrative charge will be applied, in addition to applicable Service Connection/Nonrecurring Charges as specified in Section 3 of this price list, when a customer-initiated change is made to the parameters associated with an existing PVC or existing Gateway Service. Such changes are defined as those requiring no changes in physical facilities, and can be facilitated by the Company without dispatching Company personnel to the customer's physical location. Only one administrative charge applies per customer request. The administrative charge does not apply when a customer moves an existing PVC to a new location within the customer's network. In this case, the appropriate nonrecurring charge will be applied to the new location.

Administrative Charge (Nonrecurring) \$50.00

G. Gateway Service

<u>CIR, per PVC</u>	<u>S&E Code</u>	<u>Monthly Rate</u>	<u>Nonrecurring Charge</u>
Over 0 thru 8 Kbps	FCEALMT(008)	\$ 25.00	\$50.00
Over 8 thru 16 Kbps	FCEALMT(016)	30.00	50.00
Over 16 thru 24 Kbps	FCEALMT(024)	35.00	50.00
Over 24 thru 32 Kbps	FCEALMT(032)	40.00	50.00
Over 32 thru 40 Kbps	FCEALMT(040)	45.00	50.00
Over 40 thru 48 Kbps	FCEALMT(048)	50.00	50.00
Over 48 thru 56 Kbps	FCEALMT(056)	55.00	50.00
Over 56 thru 64 Kbps	FCEALMT(064)	65.00	50.00
Over 64 thru 128 Kbps	FCEALMT(128)	75.00	50.00
Over 128 thru 256 Kbps	FCEALMT(256)	125.00	50.00
Over 256 thru 384 Kbps	FCEALMT(384)	140.00	50.00
Over 384 thru 512 Kbps	FCEALMT(512)	150.00	50.00
Over 512 thru 768 Kbps	FCEALMT(768)	160.00	50.00
Over 768 thru 1.536 Mbps	FCEALMT(1M)	180.00	50.00

H. Utilization Reports

<u>Per Port</u>	<u>S&E Code</u>	<u>Monthly Rate</u>	<u>Nonrecurring Charge</u>
Month to month	FCEALUN(RMM)	\$ 18.95	\$50.00
12 - 23 months	FCEALUN(R12)	16.95	50.00
24 - 35 months	FCEALUN(R24)	14.95	50.00
36 - 59 months	FCEALUN(R36)	12.95	50.00
60 - 84 months	FCEALUN(R60)	10.95	50.00

⁽¹⁾ Effective July 1, 2015, month-to-month service is discontinued for all existing customers and is not available to new customers. Customers with an existing Term Discount Plan may retain their service until the expiration of that Term Discount Plan. Existing Term Discount Plans are not renewable.

(N)
 |
 (N)